

# P50

The professional rack passthrough dishwasher

**POWERFUL. EFFICIENT.  
SIMPLE TO USE.**



# LET'S WORK!

It washes whatever may come along. Powerfully and hygienically clean. Also during peak times. And: It impresses with how simple it is to use and its efficient operation. The P50 rack passthrough dishwasher by Winterhalter offers a professional warewashing solution at a cost-effective price: developed according to the highest German quality standards – manufactured in Asia. And therefore specially tailored for Asian market requirements.



## FEATURES (OPTIONAL)

– dosing device for detergent and rinse aid with suction sticks

## FEATURES (STANDARD)

**WASHING PROGRAMMES:** The P50 makes washing as easy as possible: with only two programmes. A standard programme for normal soiling, and a HighTemp programme that meets Thermolable specifications.

**WASH FIELD:** The heart of the P50: Two elliptical wash fields at the top and bottom deliver optimal wash results. The special shape of the wash fields and the geometry of the jets guarantee washing power over the entire surfaces with minimal rinse water consumption.

**HYGIENE CONCEPT:** Behind the P50 is a carefully thought-out concept for perfect hygiene and convenient cleaning. The interior is smooth and has no joints. The deep-drawn tank and a hygiene rear panel prevents limescale and dirt deposits. In combination with the self-cleaning programme, cleaning work is reduced to a minimum.

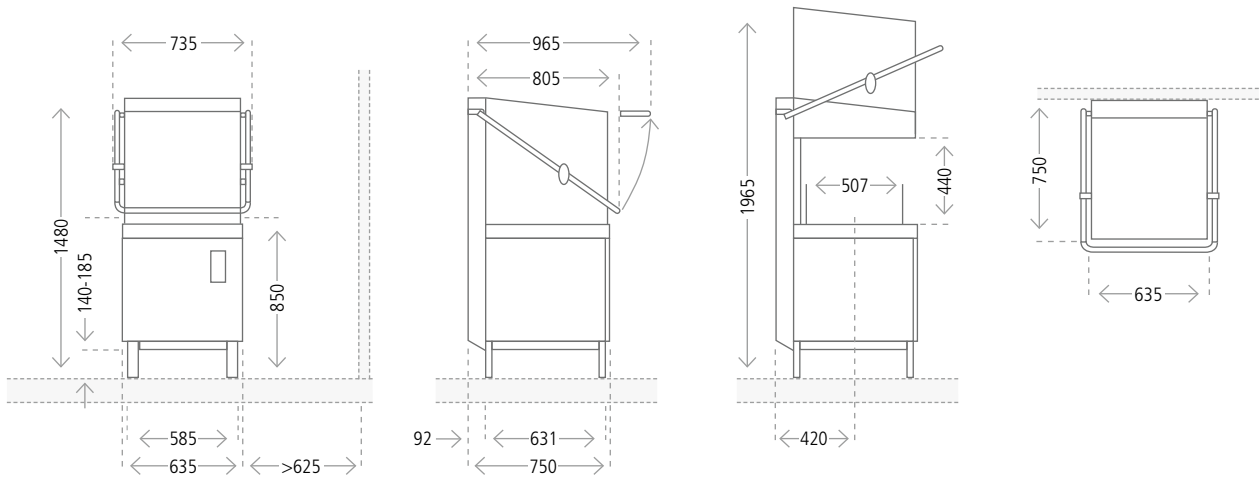
**FILTRATION:** The cleaner the wash water, the fewer changes of water are required. And the better the wash result: Coarse dirt is caught by a strainer. A fine filter with removable filter basket takes care of smaller dirt particles. And the filter bottom protects the pump from mechanical damage.

**EXTREMELY EASY TO USE:** Inexperienced employees? High staff turnover? No problem: The P50 is intuitive to operate. The color-coded operating panel has self-explanatory and language-neutral pictograms. It displays the machine's current operating mode at a glance: heating, ready for operation or washing. The washing programme starts up automatically after closing the hood. Numerous control functions ease the burden on the staff even more: for example the simple process to call up the current tank and boiler temperatures.

**LOW CAPACITY WASH TANK:** The tank volume of the P50 has been reduced to the bare minimum. The advantage: Operating costs are reduced and the machine is ready to use very quickly.

**THERMOSTOP:** Rinsing makes a decisive contribution to the quality of the wash result. The correct temperature is important here. The P50 controls this automatically: The Thermostop starts the rinsing cycle only when the temperature in the boiler has reached its set value.

**EASY SERVICING:** Quick maintenance and troubleshooting: The integrated error management system and simple access to the components make the P50 particularly easy to service. For example, if the filter is blocked, the machine will immediately indicate this with a pictogram in the operating panel.



## TECHNICAL DATA

Number of programmes		2
Theoretical capacity*1 standard / HighTemp	racks / h	60 / 20
Rack dimensions	mm	500 x 500
<b>Water consumption</b>		
Tank capacity	l	28
Rinse water volume*2 per wash cycle Standard / HighTemp	l	2.4 / 3.8
<b>Temperatures</b>		
Tank temperature standard / HighTemp	° C	62 / 66
Rinse temperature	° C	85
Max. water inlet temperature	° C	60
<b>Other information</b>		
Circulating pump (P1)	kW	0.6
Noise emission	dB(A)	max. 63
Packaging dimensions	mm	770 x 880 x 1605
IP protection class		IPX5
Weight net / gross	kg	98 / 123

## ELECTRICAL SPECIFICATIONS

Supply	Fuse	Tank	Boiler	Total connected load
380 V – 415 V, 3N~, 50 Hz / 60 Hz	16 A	2.5 kW	9.0 kW	9.3 kW
	20 A	2.5 kW	9.0 kW	11.8 kW
220 V – 240 V, 3~, 60 Hz	25 A	2.5 kW	9.0 kW	9.3 kW
	32 A	2.5 kW	9.0 kW	11.8 kW

\*1 Depending on the local conditions (water inlet temperature / electrical supply) the indicated data can decrease.

\*2 Non-binding information. The actual rinse water volume can vary depending on the on-site conditions.

# U50

The professional undercounter warewasher

**COMPACT. RELIABLE.  
ECONOMICAL.**



# THAT'S IT!

It washes glasses, dishes and cutlery. Perfectly clean and hygienically pure. It has a compact footprint and is cost-effective to operate. And: It is absolutely reliable. The U50 undercounter warewasher by Winterhalter offers a professional warewashing solution at a cost-effective price: developed according to the highest German quality standards – manufactured in Asia. And therefore specially tailored for Asian market requirements.



## FEATURES (OPTIONAL)

- dosing device for detergent and rinse aid with suction sticks
- conversion kits to other net supplies

## FEATURES (STANDARD)

**WASHING PROGRAMMES:** The U50 makes washing as easy as possible: with only three programmes. A standard programme for normal soiling, a HighTemp programme that meets Thermolable specifications and a 1-minute-programme.

**EXTREMELY EASY TO USE:** Inexperienced employees? High staff turnover? No problem: The U50 is intuitive to operate. The colour-coded display has self-explanatory and language-neutral pictograms. It displays the machine's current operating mode at a glance: heating, ready for operation or washing. The start button works according to the one-button principle. And numerous control functions ease the burden on the staff even more: for example the simple process to call up the current tank and boiler temperatures.

**WASH FIELD:** Two elliptical wash fields at the top and bottom deliver optimal wash results. The special shape of the wash fields and the geometry of the jets guarantee washing power over the entire surfaces with minimal rinse water consumption.

**HYGIENE CONCEPT:** Behind the U50 is a carefully thought-out concept for perfect hygiene and convenient cleaning. The interior is smooth and has no joints. The tank has a hygienic heating element and, like the rack guide, is deep-drawn. A hygiene rear panel prevents limescale and dirt deposits. In combination with the self-cleaning programme, cleaning work is reduced to a minimum and, in the standard programme, the U50 meets hygiene requirements in accordance with DIN 10534.

**FILTRATION:** The cleaner the wash water, the fewer changes of water are required. And the better the wash result: The U50 filters the wash water through a strainer with a removable filter cylinder and a filter bottom. This ensures food residues and impurities are collected in an effective way.

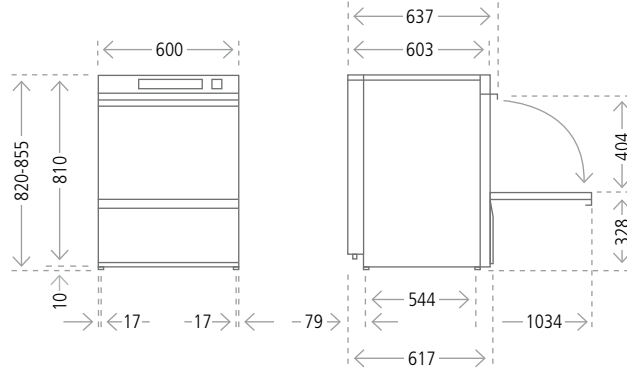
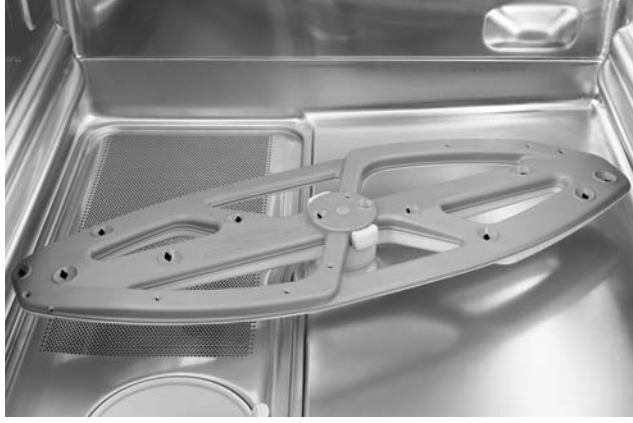
**SOFT START:** Gentle treatment of delicate dishes: When the wash cycle starts, the U50 gradually and continuously builds up the washing pressure. This ensures that the dishes are properly protected.

**DOUBLE-SKINNED DOOR:** Quality through to the last detail: The U50 is fitted with solid double-skinned hygiene doors. They reduce machine noises and heat losses to ensure pleasant working conditions.

**LOW CAPACITY WASH TANK:** The tank volume of the U50 has been reduced to the bare minimum. The advantage: After start-up, the machine is ready to use within a very short time – reducing operating costs.

**THERMOSTOP:** Rinsing makes a decisive contribution to the quality of the wash result. The correct temperature is important here. The U50 controls this automatically: The Thermostop starts the rinsing cycle only when the temperature in the boiler has reached its set value.

**EASY SERVICING:** Quick maintenance and troubleshooting: The integrated error management system and simple access to the components make the U50 particularly easy to service. For example, if the filter is blocked, the machine will immediately indicate this with a pictogram in the display.



## TECHNICAL DATA

Number of programmes		2
Theoretical capacity*1 standard / HighTemp	racks / h	30 / 20
Rack dimensions	mm	500 x 500
<b>Water consumption</b>		
Tank capacity	l	15.3
Rinse water volume*2 per wash cycle Standard / HighTemp	l	2.4 / 3.4
<b>Temperatures</b>		
Tank temperature standard / HighTemp	° C	62 / 66
Rinse temperature	° C	85
Max. water inlet temperature	° C	60
<b>Other information</b>		
Circulating pump (P1)	kW	0.5
Noise emission	dB(A)	max. 59
Packaging dimensions	mm	720 x 712 x 1020
IP protection class		IPX3
Weight net / gross	kg	66 / 76

## ELECTRICAL SPECIFICATIONS

Supply	Fuse	Tank	Boiler	Total connected load
380 V – 415 V, 3N~, 50 Hz / 60 Hz	16 A	2.0 kW	5.3 kW	7.8 kW
220 V – 240 V, 1N~, 50 Hz / 60 Hz	16 A 20 A	2.0 kW 2.0 kW	2.6 kW 3.6 kW	3.1 kW 4.1 kW
220 V – 240 V, 3~, 50 Hz / 60 Hz	25 A	2.0 kW	5.3 kW	7.8 kW

\*1 Depending on the local conditions (water inlet temperature / electrical supply) the indicated data can decrease.

By adjusting parameters the theoretical capacity can be increased to 60 racks / h (1-minute-programme).

\*2 Non-binding information. The actual rinse water volume can vary depending on the on-site conditions.