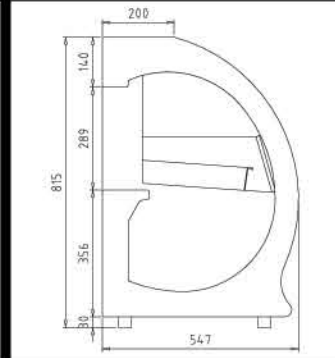
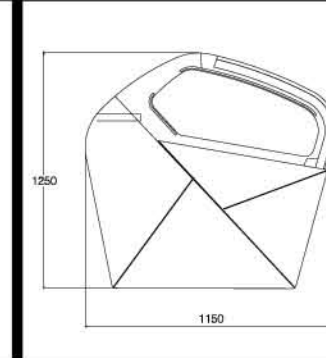


# Technical parameters

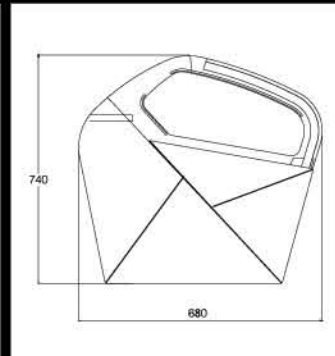


## Desktop Ice Cream Display Cabinet

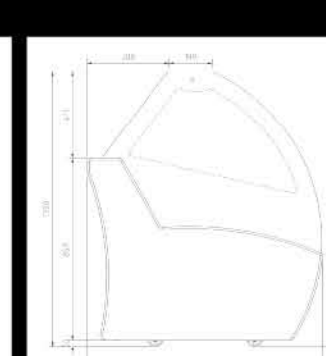
Temp. Range	Model No.	Dimension (cm)	Voltage (V/Hz)	Power (W)	Capacity (L)	Pan	Refrigerant	N. W. (kg)
<b>-18°C ~ -22°C</b>	F-G530-W	107*55*81	220V/50Hz	450	141	5	R404A	93
	F-G540-W	125*55*81		490	165	6	R404A	115
	F-G550-W	143*55*81		590	190	7	R404A	125



Temp. Range	Model No.	Dimension (cm)	Voltage (V/Hz)	Power (W)	Capacity (L)	Pan	Refrigerant	N. W. (kg)
<b>-18°C ~ -22°C</b>	QV-BB-8	92.2*115*125	220V/50Hz	745	247	8	R404A	200
	QV-BB-10	110.2*115*125		745	307	10	R404A	227
	QV-BB-12	128.2*115*125		900	367	12	R404A	254
	QV-BB-14	146.2*115*125		1055	427	14	R404A	281
	QV-BB-16	164.2*115*125		1210	487	16	R404A	308
	QV-BB-18	182.2*115*125		1360	547	18	R404A	335
	QV-BB-20	200.2*115*125		1520	607	20	R404A	362
	QV-BB-22	218.2*115*125		1675	667	22	R404A	389
QV-BB-24	236.2*115*125	1830	727	24	R404A	416		



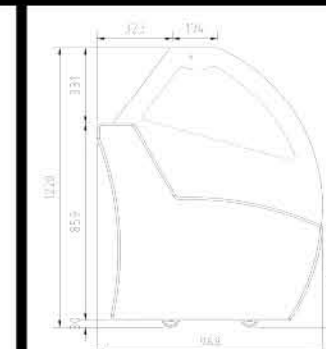
Temp. Range	Model No.	Dimension (cm)	Voltage (V/Hz)	Power (W)	Capacity (L)	Pan	Refrigerant	N. W. (kg)
<b>-18°C ~ -22°C</b>	F-QV660A-W	122*68*74	220V/50Hz	810	160	6	R404A	140
	F-QV670A-W	140*68*74		830	185	7	R404A	150
	F-QV680A-W	158*68*74		850	210	8	R404A	160
	F-QV690A-W	176*68*74		870	235	9	R404A	170



Temp. Range	Model No.	Dimension (cm)	Voltage (V/Hz)	Power (W)	Capacity (L)	Pan	Refrigerant	N. W. (kg)
<b>-18°C ~ -22°C</b>	QD-BB-8(1/3)	90.4*109*130	220V/50Hz	745	240	8	R404A	195
	QD-BB-10(1/3)	109.4*109*130		745	300	10	R404A	222
	QD-BB-12(1/3)	128.4*109*130		900	360	12	R404A	249
	QD-BB-14(1/3)	147.4*109*130		1055	420	14	R404A	276
	QD-BB-16(1/3)	166.4*109*130		1210	480	16	R404A	303
	QD-BB-18(1/3)	185.4*109*130		1360	540	18	R404A	333
	QD-BB-20(1/3)	204.4*109*130		1520	600	20	R404A	357
	QD-BB-22(1/3)	223.4*109*130		1675	660	22	R404A	384
QD-BB-24(1/3)	242.4*109*130	1830	720	24	R404A	411		

## Standing Type Ice Cream Display Cabinet

Temp. Range	Model No.	Dimension (cm)	Voltage (V/Hz)	Power (W)	Capacity (L)	Pan	Refrigerant	N. W. (kg)
<b>-18°C ~ -22°C</b>	QP-BB-8	84*120*130	220V/50Hz	745	255	8	R404A	208
	QP-BB-10	103*120*130		745	315	10	R404A	235
	QP-BB-12	122*120*130		900	375	12	R404A	262
	QP-BB-14	141*120*130		1055	435	14	R404A	289
	QP-BB-16	160*120*130		1210	495	16	R404A	316
	QP-BB-18	179*120*130		1360	555	18	R404A	343
	QP-BB-20	198*120*130		1520	615	20	R404A	370
	QP-BB-22	217*120*130		1675	675	22	R404A	397
	QP-BB-24	236*120*130		1830	735	24	R404A	424



Temp. Range	Model No.	Dimension (cm)	Voltage (V/Hz)	Power (W)	Capacity (L)	Pan	Refrigerant	N. W. (kg)
<b>-18°C ~ -22°C</b>	QD-BB-8(1/4)	83.4*97*122	220V/50Hz	745	225	8	R404A	170
	QD-BB-10(1/4)	102.4*97*122		745	285	10	R404A	207
	QD-BB-12(1/4)	121.4*97*122		900	345	12	R404A	234
	QD-BB-14(1/4)	140.4*97*122		1055	405	14	R404A	261
	QD-BB-16(1/4)	159.4*97*122		1210	465	16	R404A	288
	QD-BB-18(1/4)	178.4*97*122		1360	525	18	R404A	318
	QD-BB-20(1/4)	197.4*97*122		1520	585	20	R404A	342
	QD-BB-22(1/4)	216.4*97*122		1675	645	22	R404A	369
	QD-BB-24(1/4)	235.4*97*122		1830	705	24	R404A	396