

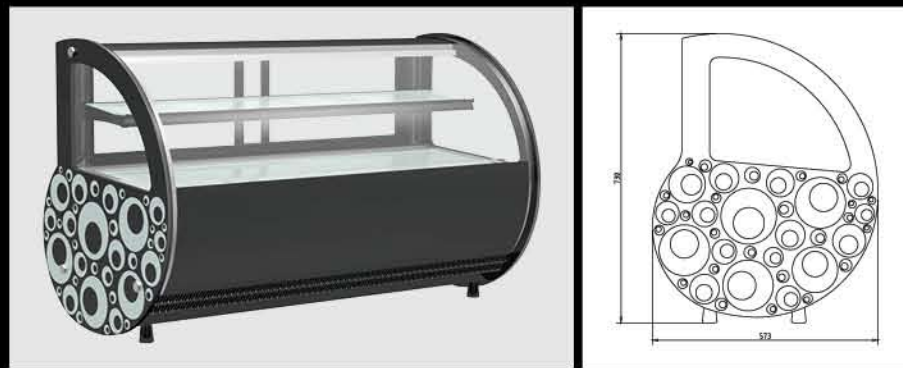
# Technical parameters



Desktop Cake Showcase								
Temp. Range	Model No.	Dimension (cm)	Voltage (V/Hz)	Power (W)	Capacity (L)	Layer	Refrigerant	N. W. (kg)
2°C ~ 8°C	G530A-W	90*55*81	220V/50Hz	470	120	2	R134A	91
	G540A-W	120*55*81		560	176	2	R134A	111
	G550A-W	150*55*81		605	232	2	R134A	141



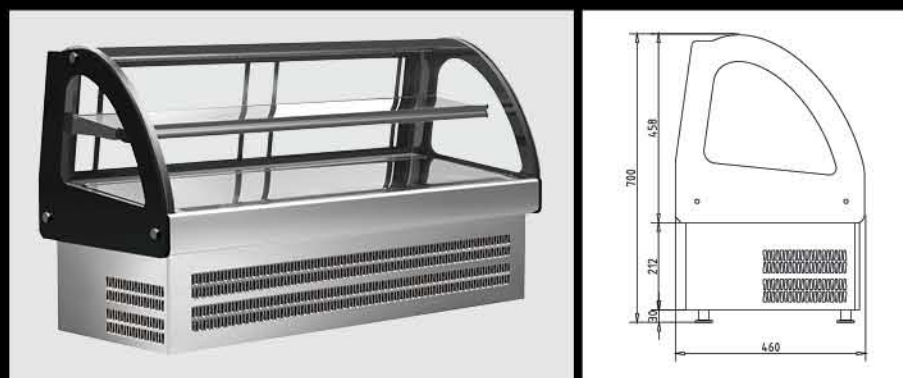
Temp. Range	Model No.	Dimension (cm)	Voltage (V/Hz)	Power (W)	Capacity (L)	Layer	Refrigerant	N. W. (kg)
40°C ~ 75°C	H-G530A-W	90*55*81	220V/50Hz	765	120	2	—	72
	H-G540A-W	120*55*81		805	176	2	—	92
	H-G550A-W	150*55*81		845	232	2	—	112



Temp. Range	Model No.	Dimension (cm)	Voltage (V/Hz)	Power (W)	Capacity (L)	Layer	Refrigerant	N. W. (kg)
2°C ~ 8°C	A530	90*57*73	220V/50Hz	428	50	2	R134A	62
	A540	120*57*73		505	68	2	R134A	82
	A550	150*57*73		525	86	2	R134A	102



Temp. Range	Model No.	Dimension (cm)	Voltage (V/Hz)	Power (W)	Capacity (L)	Layer	Refrigerant	N. W. (kg)
40°C ~ 75°C	H-A530	90*57*73	220V/50Hz	765	50	2	—	62
	H-A540	120*57*73		805	68	2	—	82
	H-A550	150*57*73		845	86	2	—	102



Temp. Range	Model No.	Dimension (cm)	Voltage (V/Hz)	Power (W)	Capacity (L)	Layer	Refrigerant	N. W. (kg)
2°C ~ 8°C	M430	90*46*70	220V/50Hz	428	58	2	R134A	95
	M440	120*46*70		505	80	2	R134A	115
	M450	150*46*70		525	102	2	R134A	135



Temp. Range	Model No.	Dimension (cm)	Voltage (V/Hz)	Power (W)	Capacity (L)	Layer	Refrigerant	N. W. (kg)
40°C ~ 75°C	H-M430	90*46*70	220V/50Hz	765	58	2	—	85
	H-M440	120*46*70		805	80	2	—	105
	H-M450	150*46*70		845	102	2	—	125