



Charcoal Oven HJX25M

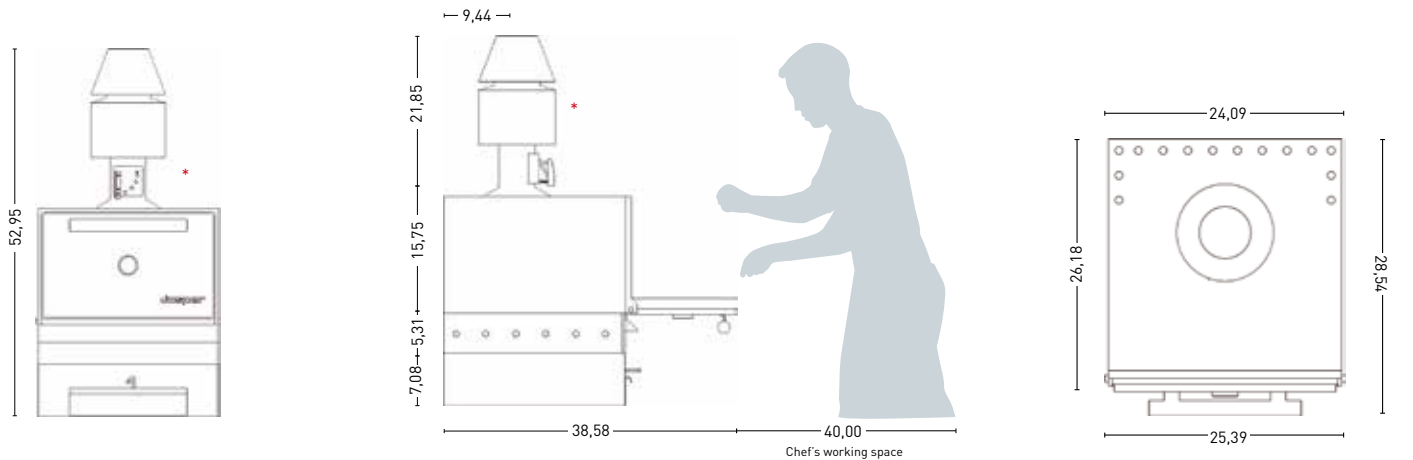
INCLUDED ACCESSORIES

- Smoke outlet vent
- One cooking grill rack
- Charcoal grates
- Josper tongs
- Bristle brush
- Poker
- Ash hatch and handle
- Ash pan

OPTIONAL ACCESSORIES

- Extra cooking grill rack
- Firebreak
- Firebreak's hat
- Cookware⁴
- Tray support
- Below cabinet

TECHNICAL DRAWINGS



TECHNICAL INFORMATION

Fire up time ¹	30 min average
Josper charcoal daily consumption	22 lb to 26.5 lb average
Performance	9 h
Production per hour ²	132 lb
Cooking temperature	572 °F to 662 °F
Oven capacity in GN trays (per grill rack)	2 x GN 1/2 + 1 x GN1/3
Power equivalence	4 hp
Exhaust rate ³	1648 cfm
Maximum smoke flow	0.25 oz/s

INSTALLATION

Recommended installation height	22 in from floor level
Clearance with other cooking equipment	4 in

BUNDLES: SIZES AND WEIGHTS

Sizes bundle 1	29,9 x 29,5 x 34,1 in
-	-
-	-
Gross weight bundle 1	351 lb
-	-
-	-

- 1 Please, check our document titled "Fire up and use of the Josper oven".
 - 2 Please, check our "Cookbook".
 - 3 Please, check our document titled "Installation advices of the Josper oven".
 - 4 Please, see our wide range of cookware in our website: www.josper.es
- Ovens' sizes and weights are to be considered with the standard accessories and packing.

A continual improvement process may require us to change specifications without any notice. Revised June 2012.