



# Charcoal Oven HJX25L

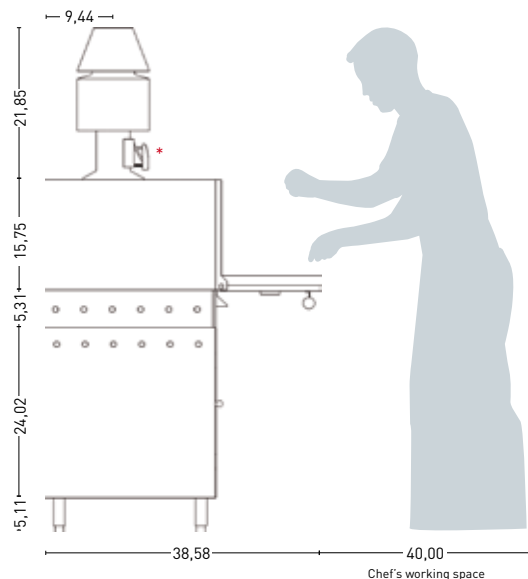
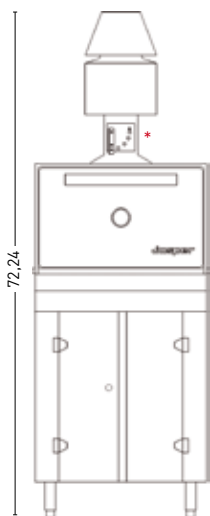
## INCLUDED ACCESSORIES

- Smoke outlet vent
- One cooking grill rack
- Charcoal grates
- Jospier tongs
- Bristle brush
- Poker
- Ash hatch and handle
- Ash pan

## OPTIONAL ACCESSORIES

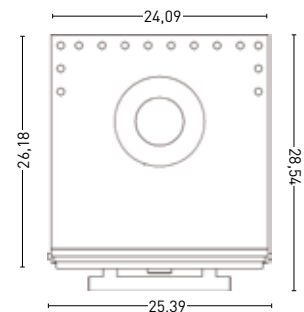
- Extra cooking grill rack
- Firebreak
- Firebreak's hat
- Cookware<sup>4</sup>
- Tray support

## TECHNICAL DRAWINGS



vent outlet: 4,72 Ø  
firebreak: 5,90 Ø  
Adjustables legs from 5,31 a 7,57in

The total height of the oven can be reduced by using shorter outlet register and firebreak.



## TECHNICAL INFORMATION

Fire up time <sup>1</sup>	30 min aprox.
Jospier charcoal daily consumption	22 lb to 26.5 lb average
Performance	9 h
Production per hour <sup>2</sup>	132 lb average
Cooking temperature	572 °F to 662 °F
Oven capacity in GN trays (per grill rack)	2 x GN 1/2 + 1 x GN1/3
Power equivalence	4 hp
Exhaust rate <sup>3</sup>	1648 cfm
Maximum smoke flow	0.25 oz/s

## INSTALLATION

Recommended installation height	
Clearance with other cooking equipment	4 in

## BUNDLES: SIZES AND WEIGHTS

Sizes bundle 1	29,9 x 29,5 x 34,1 in
Sizes bundle 2	29,9 x 29,5 x 34,8 in
-	-
Gross weight bundle 1	324 lb
Gross weight bundle 2	112 lb
-	-

- 1 Please, check our document titled "Fire up and use of the Jospier oven".
  - 2 Please, check our "Cookbook".
  - 3 Please, check our document titled "Installation advices of the Jospier oven".
  - 4 Please, see our wide range of cookware in our website: [www.jospier.es](http://www.jospier.es)
- Ovens' sizes and weights are to be considered with the standard accessories and packing.

A continual improvement process may require us to change specifications without any notice. Revised June 2012.