



HOSHIZAKI



> **FM-300AKE**

flake ice

daily ice production capacity of up to 320kg



> **FM-300AKE-N**

nugget ice

daily ice production capacity of up to 270kg



> **FM-300AKE**
(With Hoshizaki Storage Bin - **B-301SA**)

Aside for drinks, ice is important for preservation purposes. Hoshizaki's FM ice machines produce flakes consisting of 70% ice and 30% water, used primarily for cooling purposes and has no 'freeze-burn' effect when displaying fresh produce. It is also used in large facilities such as healthcare, catering, supermarket chains or even cocktail bars.

FLAKE ICE MAKER SERIES

FEATURES

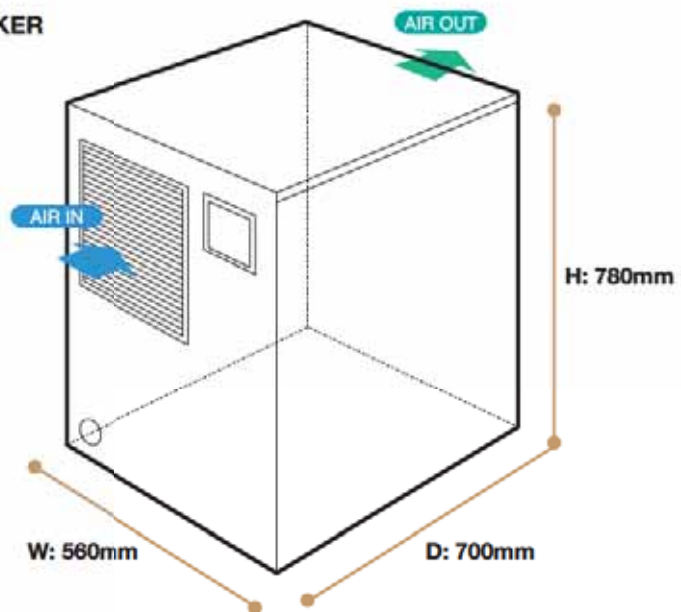
- > carbon auger bearings enhances product life expectancy, reduces maintenance cost
- > hydrocarbon refrigerants lowers energy consumption
- > 100% hfc free co2 foam insulation maintains consistent temperature
- > smart computer board technology
- > stainless steel exterior
- > led error indicator for easy diagnosis

UNIQUE ICE PRODUCTION SYSTEM

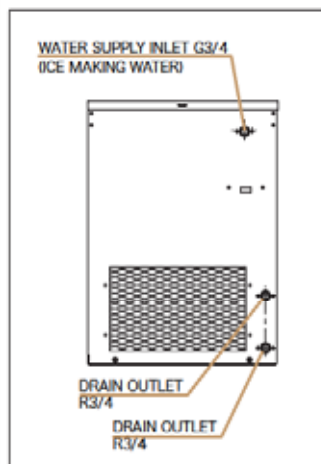


DIMENSIONS & SPECIFICATION

FLAKE ICE MAKER AIR SYSTEM



BACK VIEW



MODEL NAME	FM-300AKE	FM-300AKE-N	
ICE SHAPE	Flake	Nugget	
DIMENSIONS (MM) (W x D x H)	560 x 700 x 780		
PACKED DIMENSIONS (MM) (W x D x H)	671 x 820 x 971		
WEIGHT (NETT/GROSS)	80 KG / 87 KG		
AMPERAGE / STARTING AMPERAGE	5.8A / 19A	5.7A / 19A	
ELECTRICAL CONSUMPTION	1000 W		
REFRIGERANT CHARGE	R404a		
HEAT REJECTION	2200 W (1891 kcal/h)		
ICE PRODUCTION PER 24H (15MM)	(AT10°C/WT10°C)	320 KG	270 KG
	(AT21°C/WT15°C)	260 KG	225 KG
	(AT32°C/WT21°C)	200 KG	180 KG
WATER CONSUMPTION PER 24H (AT21°C/WT15°C)	0.29 m ³	0.255 m ³	
	1.1L / 1KG ICE	1.1L / 1KG ICE	

WARRANTY:

Two years parts & labour for entire unit, 3rd year on compressor only. Excluding door & exterior damages

OPERATING CONDITIONS:

• Voltage Range: 198V-254V • Ambient Temperature: 1°-40°C
 • Water Supply: 5°-35°C / 0.05-0.8Mpa / 7.25-116 PSI • AC Supply Voltage: 1/220-240V / 50 Hz