



**HOSHIZAKI**

> **LM-250M**

daily ice production capacity of up to 26kg

> **LM-350M**

daily ice production capacity of up to 37kg

> **LM-550M**

daily ice production capacity of up to 63kg



Cube ice is perfectly symmetrical and leaves a good impression with its hard, crystal clear quality that melts very slowly; allowing customers to enjoy their favourite drink longer.



> LM-250M

CUBE ICE MAKER SERIES

**FEATURES**

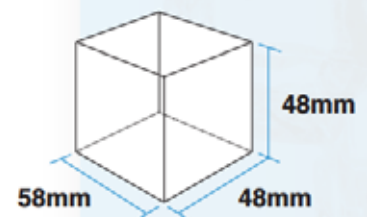
- > ice size suitable for serving alcoholic beverages
- > slim and ideal to be placed at bar counters
- > flush back design for easy installation
- > attractive stainless steel exterior - easy to clean



**UNIQUE ICE PRODUCTION SYSTEM**

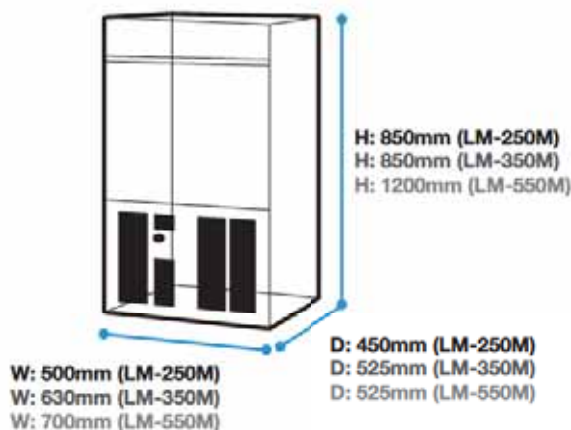


**ICE SIZE**

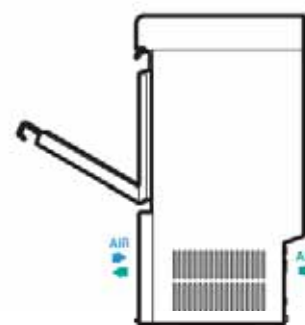


# DIMENSIONS & SPECIFICATION

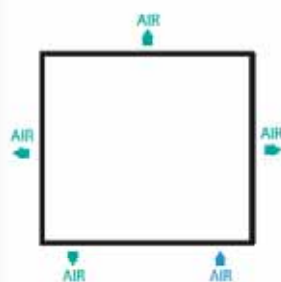
## DIMENSIONS



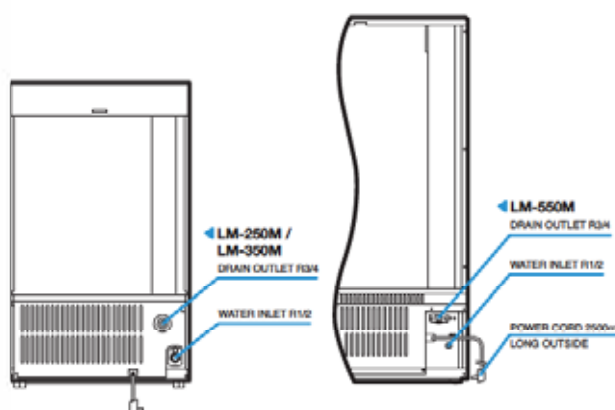
## SIDE VIEW



## CUBE ICE MAKER AIR SYSTEM TOP VIEW



## BACK VIEW



MODEL NAME	LM-250M	LM-350M	LM-550M
ICE DIMENSIONS (MM) (W x D x H)		48 x 48 x 58	
DIMENSIONS (MM) (W x D x H)	500 x 450 x 850	630 x 525 x 850	700 x 525 x 1200
PACKED DIMENSIONS (MM) (W x D x H)	609 x 547 x 891	748 x 629 x 915	795 x 625 x 1310
WEIGHT (NETT/GROSS)	43 KG / 47 KG	53 KG / 58 KG	73 KG / 79 KG
AMPERAGE / STARTING AMPERAGE	1.2A / 9A	2.2A / 14A	2.5A / 17A
ELECTRICAL CONSUMPTION	220 W	330 W	435W
REFRIGERANT CHARGE	R134a		R404a
HEAT REJECTION (AT32°C/WT21°C)	480 W (412 kcal/h)	880 W (757 kcal/h)	1300 W (1118 kcal/h)
ICE PRODUCTION PER 24H (15MM)	(AT10°C/WT10°C)	26 KG	37 KG
	(AT21°C/WT15°C)	22 KG	31 KG
WATER CONSUMPTION PER 24H (AT21°C/WT15°C)	0.14 m <sup>3</sup>	0.18 m <sup>3</sup>	0.28 m <sup>3</sup>
	5.38L / 1KG ICE	4.86L / 1KG ICE	4.44L / 1KG ICE
ICE PRODUCTION PER CYCLE (AT21°C/WT15°C)	1 KG / 9 PCS	1.44 KG / 12 PCS	2.2 KG / 20 PCS
STORAGE CAPACITY	APPROX: 10 KG	APPROX: 17 KG	APPROX: 41 KG

### WARRANTY:

Two years parts & labour for entire unit, 3<sup>rd</sup> year on compressor only. Excluding door & exterior damages.

### OPERATING CONDITIONS:

• Voltage Range:  $\pm 10\%$  • Ambient Temperature: 5°-38°C

• Water Supply: 0.05-0.78 Mpa • AC Supply Voltage: 1/220-240V / 50 Hz