



HOSHIZAKI

- > **IM-45NE**
- > **IM-45NE-25**

daily ice production capacity of up to 44kg



Cube ice is perfectly symmetrical and leaves a good impression with its hard, crystal clear quality that melts very slowly; allowing customers to enjoy their favourite drink longer. The IM series allows more flexibility of application with each range offering ice in variable sizes alongside a design for uncomplicated usage from start to finish.



> **IM-45NE**

CUBE ICE MAKER SERIES

FEATURES

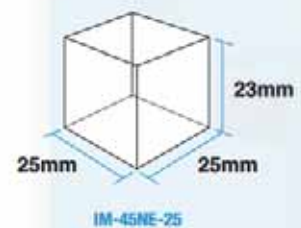
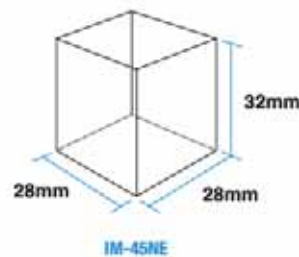
- > smart computer board technology
- > slide-in air filter for easy cleaning
- > LED error indicator for easy diagnosis
- > stainless steel exterior



UNIQUE ICE PRODUCTION SYSTEM

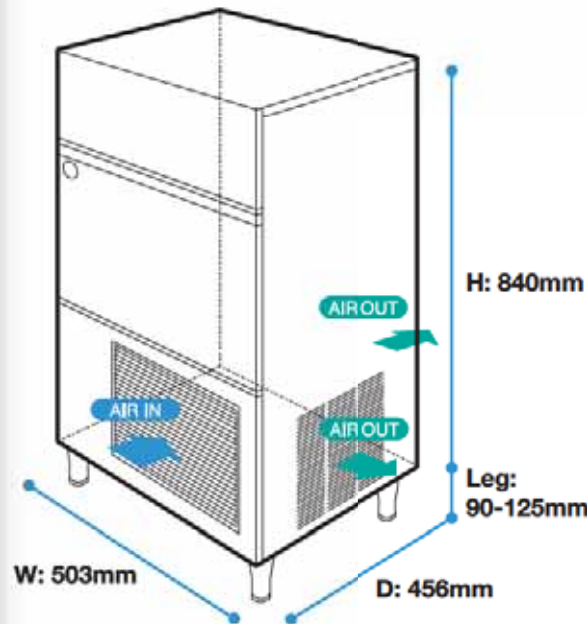


ICE SIZE

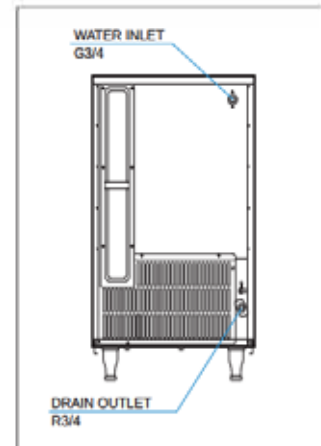


DIMENSIONS & SPECIFICATION

CUBE ICE MAKER AIR SYSTEM



BACK VIEW



MODEL NAME	IM-45NE		IM-45NE-25	
ICE DIMENSIONS (MM) (W x D x H)	28 x 28 x 32		25 x 25 x 23	
DIMENSIONS (MM) (W x D x H)	Body : 503 x 456 x 840 / Leg Height : 90-125 mm			
PACKED DIMENSIONS (MM) (W x D x H)	635 x 600 x 1021			
WEIGHT (NETT/GROSS)	46 KG / 51 KG			
AMPERAGE / STARTING AMPERAGE	2.4A / 13A			
ELECTRICAL CONSUMPTION	330 W			
REFRIGERANT CHARGE	R134a			
HEAT REJECTION (AT32°C/WT21°C)	640 W (550 kcal/h)			
ICE PRODUCTION PER 24H (15MM)	(AT10°C/WT10°C)	44 KG	39 KG	
	(AT21°C/WT15°C)	40 KG	35 KG	
	(AT32°C/WT21°C)	32 KG	28 KG	
WATER CONSUMPTION PER 24H (AT21°C/WT15°C)	0.10 m ³		0.12 m ³	
	2.5L / 1KG ICE		3.4L / 1KG ICE	
ICE PRODUCTION (AT21°C/WT15°C)	FREEZE CYCLE TIME	28 MIN	22 MIN	
	PER CYCLE	0.67 KG / 30 PCS	0.55 KG / 42 PCS	
STORAGE CAPACITY	18 KG			

WARRANTY:

Two years parts & labour for entire unit, 3rd year on compressor only. Excluding door & exterior damages

OPERATING CONDITIONS:

• Voltage Range: 198V-254V • Ambient Temperature: 1°-40°C
 • Water Supply: 5°-35°C / 0.07-0.8Mpa / 7.25-116 PSI • AC Supply Voltage: 1/220-240V / 50 Hz
 *60Hz units are available upon request