



HOSHIZAKI

> **KMD-270AA**

daily ice production capacity of up to 270kg



Crescent-shaped ice moves around freely yet packs together tightly in its bin, maximising storage capacity. Individual crescents do not stick together as there are no air pockets so that each piece of ice comes across distinctive in a cup of drink. This unit can be fitted on a dispenser for quick and ease-of-access.



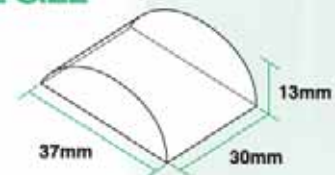
> **KMD-270AA**
(With Hoshizaki Storage Bin - **B-301SA**)

CRESCENT ICE MAKER SERIES

FEATURES

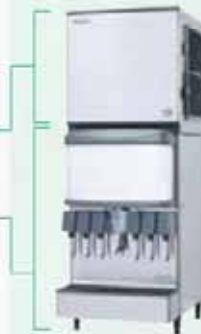
- > stainless steel evaporator
- > audible controller board
- > easy cleaning with pull out filter & removable water tank
- > low 53db noise level
- > fitted with reliable mechanical proximity bin control switch
- > cyclesaver® design 
- > evercheck® alert 
- > compartmentalised internal design
- > able to be installed on 560mm (22") wide drink dispenser
- > water cooled model available

ICE SIZE



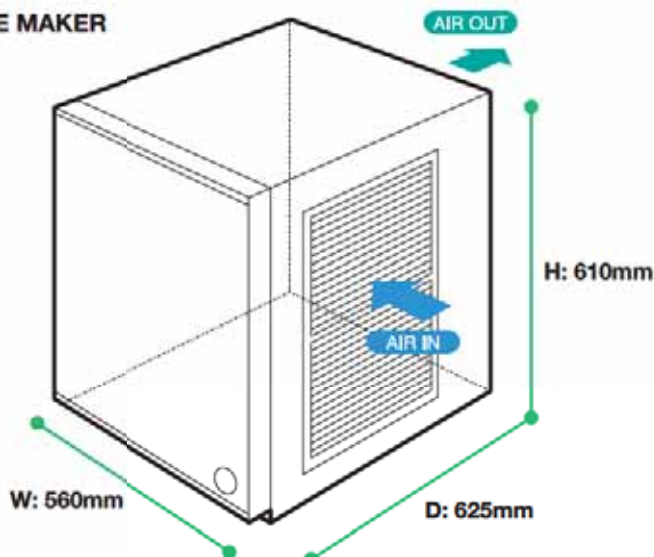
Crescent Ice Maker **KMD-270AA**

Allows installation on 560mm(22")wide drink dispenser,

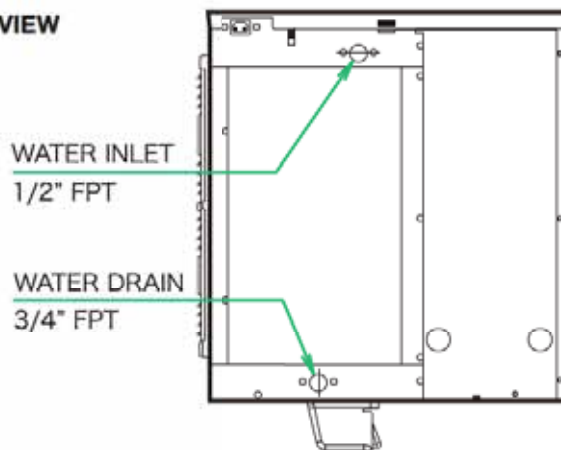


DIMENSIONS & SPECIFICATION

CRESCENT ICE MAKER AIR SYSTEM



BACK VIEW



MODEL NAME		KMD-270AA
ICE DIMENSIONS (MM) (W x D x H)		37 x 30 x 13
DIMENSIONS (MM) (W x D x H)		560 x 625 x 610
PACKED DIMENSIONS (MM) (W x D x H)		668 x 727 x 793
WEIGHT (NETT/GROSS)		57 KG / 73 KG
AMPERAGE / STARTING AMPERAGE		4.9A / 24A
ELECTRICAL CONSUMPTION		1030 W
REFRIGERANT CHARGE		R404a
HEAT REJECTION		2435 W (2094 kcal/h)
ICE PRODUCTION PER 24H (15MM)	(AT10°C/WT10°C)	265 KG
	(AT21°C/WT15°C)	248 KG
	(AT32°C/WT21°C)	221 KG
WATER CONSUMPTION PER 24H (AT21°C/WT15°C)		0.54 m ³
		2.2L / 1KG ICE
ICE PRODUCTION (AT21°C/WT15°C)	FREEZE CYCLE TIME	30.2 MIN
	PER CYCLE	5.7 KG / 624 PCS

WARRANTY:
 Two years parts & labour for entire unit, 3rd year on compressor only. Excluding door & exterior damages

OPERATING CONDITIONS: • Voltage Range: 198V-254V • Ambient Temperature: 1°-40°C
 • Water Supply: 5°-35°C / 0.07-0.8Mpa / 7.25-116 PSI • AC Supply Voltage: 1/220-240V / 50 Hz