



**HOSHIZAKI**

> **KM-1301SAH-E**

daily ice production capacity of up to 505kg



> **KM-1301SAH-E**  
(With Hoshizaki Storage Bin - **B-900**)

Crescent-shaped ice moves around freely yet packs together tightly in its bin, maximising storage capacity. Individual crescents do not stick together as there are no air pockets so that each piece of ice comes across distinctive in a cup of drink. This unit meets the need for large amounts of ice daily and is stackable without taking up any added floor space.

CRESCENT ICE MAKER SERIES

**FEATURES**

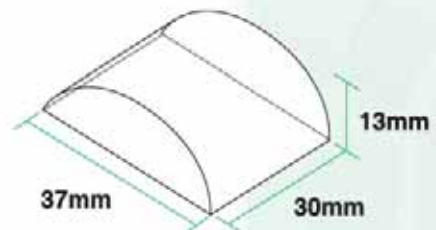
- > stainless steel exterior and evaporator
- > cyclesaver® design 
- > evercheck® alert 
- > removable and cleanable air filters
- > **H-GUARD** hoshiguard antimicrobial agent
- > stackable to provide up to 1010kg daily production capacity

**AVAILABLE MODELS**



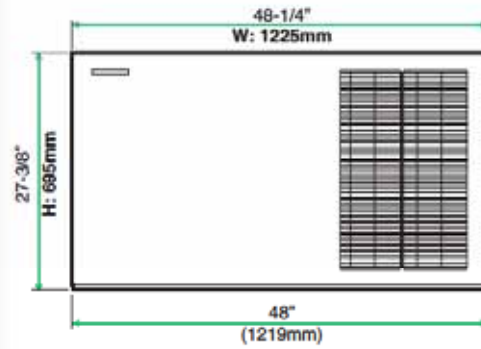
**KM-1301SAH-E**  
+  
**BIN - B-800**

**ICE SIZE**

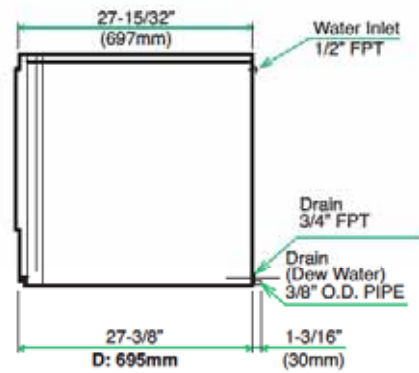


# DIMENSIONS & SPECIFICATION

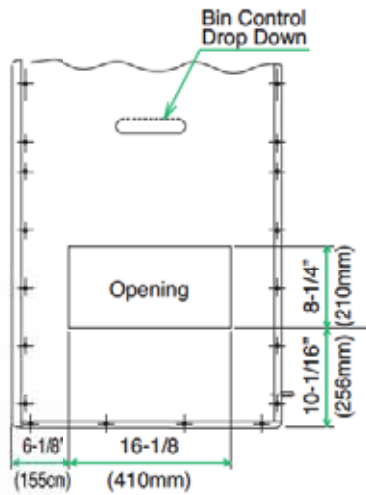
## FRONT VIEW



## SIDE VIEW



## ICE DROP ZONE



<b>MODEL NAME</b>		<b>KM-1301SAH-E</b>
<b>ICE DIMENSIONS (MM) (W x D x H)</b>		37 x 30 x 13
<b>DIMENSIONS (MM) (W x D x H)</b>		1225 x 695 x 695
<b>WEIGHT IN KG</b>		143
<b>AMPERAGE</b>		11.8A
<b>ELECTRICAL CONSUMPTION (KWH PER 45 KG)</b>		5.1
<b>REFRIGERANT CHARGE</b>		R404a
<b>ICE PRODUCTION PER 24H</b>	(AT10°C/WT10°C)	505 KG
	(AT27°C/WT21°C)	471 KG
	(AT32°C/WT21°C)	455 KG
<b>WATER CONSUMPTION PER 24H (AT32°C/WT21°C)</b>		0.6 m <sup>3</sup>
		1.3L / 1KG ICE
<b>ICE PRODUCTION (AT32°C/WT21°C)</b>	<b>FREEZE CYCLE TIME</b>	42 MIN
	<b>PER CYCLE</b>	13.2 KG / 1440 PCS

**WARRANTY:**  
Two years parts & labour for entire unit, 3<sup>rd</sup> year on compressor only. Excluding door & exterior damages

**OPERATING CONDITIONS:** • Voltage Range: 198V-254V • Ambient Temperature: 7°-38°C  
• Water Supply: 7°-32°C • Water Pressure: 0.7-8kg / cm<sup>2</sup> • AC Supply Voltage: 1/220-240V / 50 Hz