

Flexible Line Vela



The harmonious lines of Vela lend extreme elegance to any sales point thanks to the prestige and aesthetic continuity of all its details.

PRODUCT CATEGORIES



TECHNICAL FEATURES



ACCESORIES



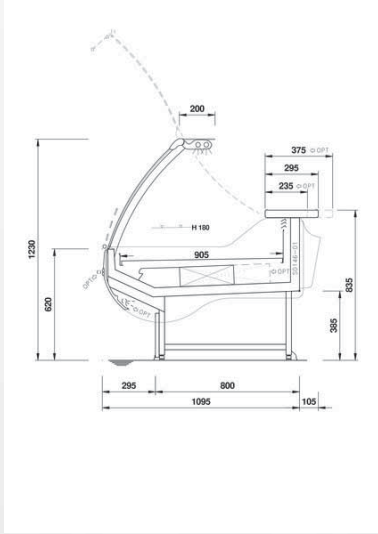
- | | | |
|--|---|--|
| <ul style="list-style-type: none"> • Pastry drawer • High mobile divider • Hooksrear supports (supplied separately) • Rotating plate • Paper roll holder • Electrical sockets • G-N pans (supplied separately) • Refrigerated storage • Paper holder • Tubular bumper rail on canopy | <ul style="list-style-type: none"> • Front basket/bottle display rack • Low mobile divider • Stepped decks • 360mm Back-shelf paper holder • Scale holder on bracket • Polyethylene cutting board • Fish tanks • Shelf • Double paper holder | <ul style="list-style-type: none"> • Puerta corredera posterior en plexiglass con guía • Anti-mist front baffle • Sliding machine/scale holder • Knives holder • Price ticket strip • Night blinds • Low temperature • Basket rail with three tubes • Floor tubular bumper rail |
|--|---|--|

TECHNICAL INFORMATION

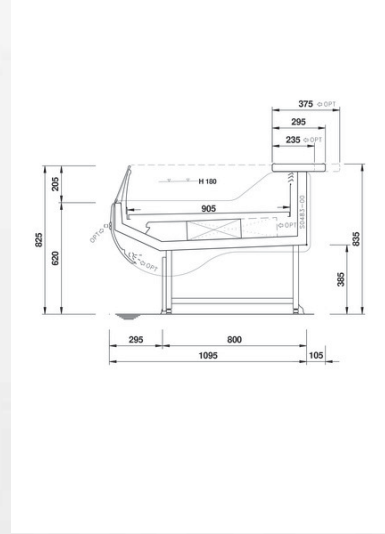


Climate class	3
Product temperature class	3m1
Refrigeration type	Ventilated
Refrigeration characteristics	290/W

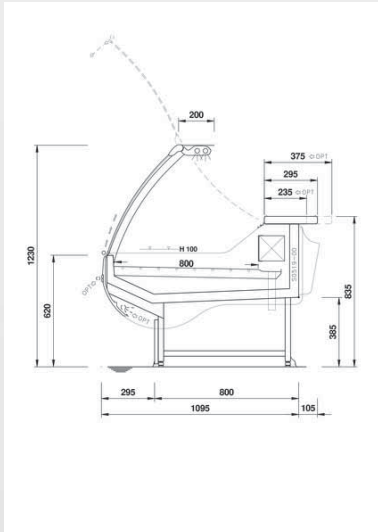
VENTILATED



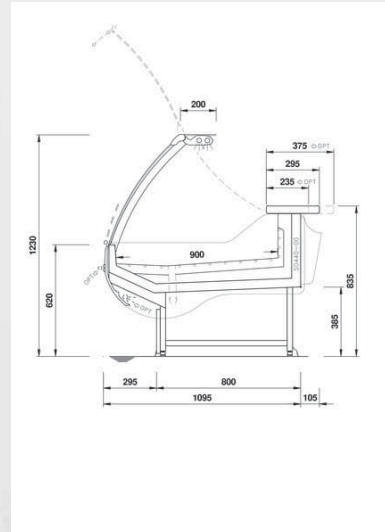
SELF-SERVICE



COILED DECK

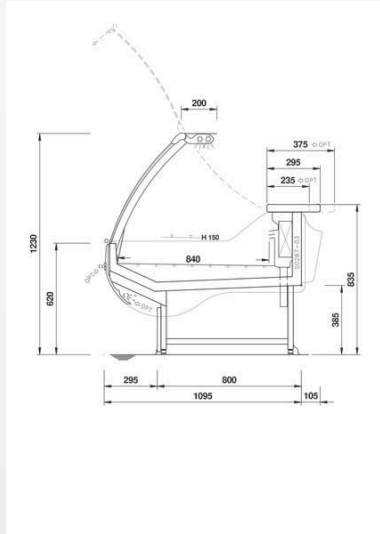


Refrigerated back panel

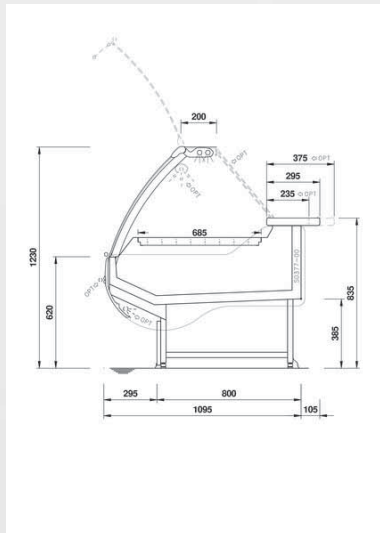


Dynamic

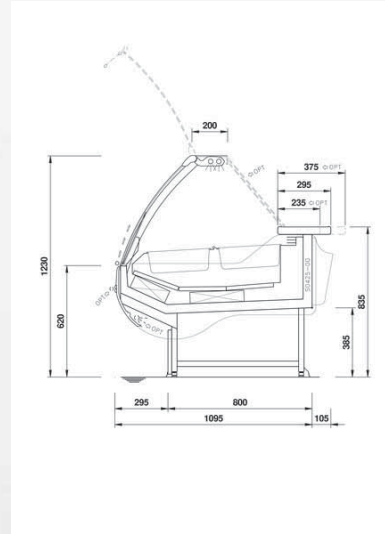
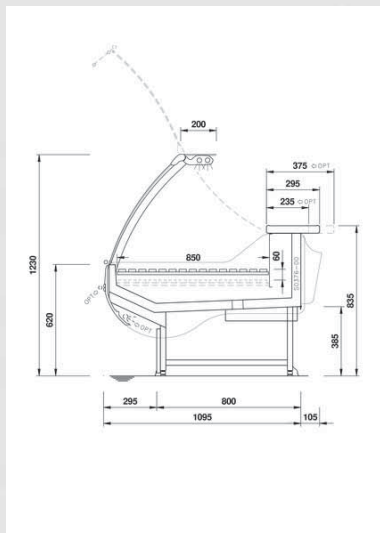
Ice cream



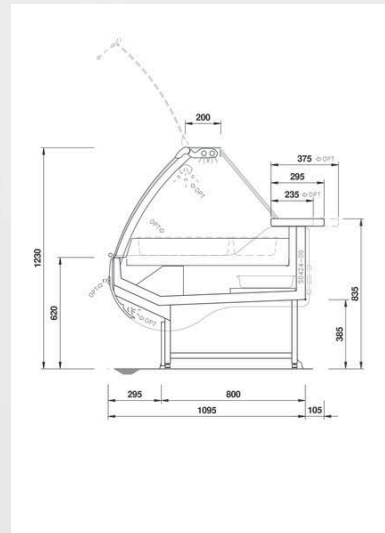
HOT PLATE



Bread



HOT HUMID



LEGEND



Meat



Chicken



Fish



Pre-packed fish



Delicatessen



Cheese



Dairy products



Gastronomy



Pastries



Pre-packed fruit and vegetables



Fruit and Vegetables



Sandwiches



Drinks



Pizza



Chocolate



Bread



Frozen Food and Ice cream



Off-cycle defrost



Electric defrost



Hot-gas defrosting system



Manual defrost



Ventilated



Static



Incorporated condensing unit



Remote condensing unit



Bagno Maria



Ceramic glass



Ice



LED lighting