

Classic Line Swing



Swing - a lean, aesthetic body that turns a display cabinet into a refined, welcoming space. Its design complements all environments and add to them, producing a space in which the products displayed take pride of place. Customizable and available in different versions, Swing meets all requirements for displaying confectionery, bread and chocolates.

PRODUCT CATEGORIES



TECHNICAL FEATURES



ACCESORIES



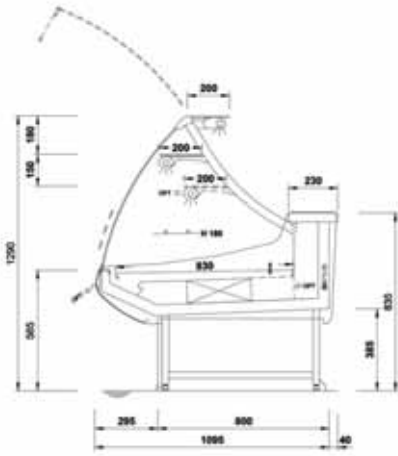
- Pastry drawer
- Low mobile divider
- Sliding machine/scale holder
- Polyethylene cutting board
- Shelf
- Puerta corredera posterior en plexiglass con guía
- Anti-mist front baffle
- Rotating plate
- Night blinds
- Basket rail with three tubes
- High mobile divider
- Stepped decks
- Price ticket strip
- G-N pans (supplied separately)
- Bumper rail

TECHNICAL INFORMATION

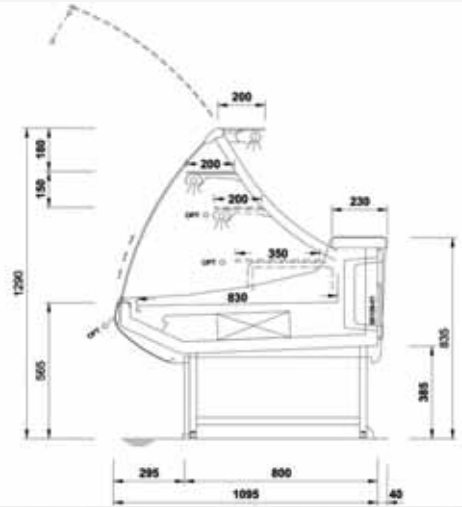


| | |
|-------------------------------|--------------------|
| Refrigeration characteristics | 290W/m |
| Climate class | 3 25°C 60% RH |
| Product temperature class | 3 M2 |
| Refrigeration type | Ventilated |
| Lengths | 938-1250-1875-2813 |

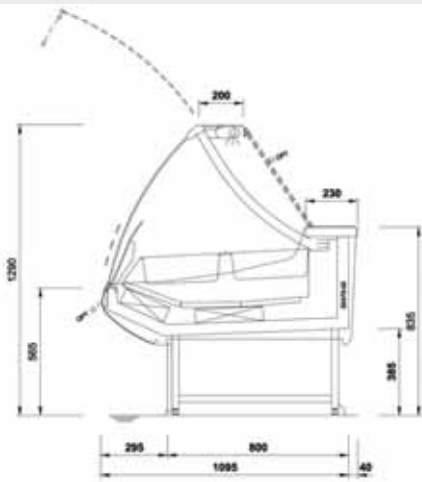
VENTILATED



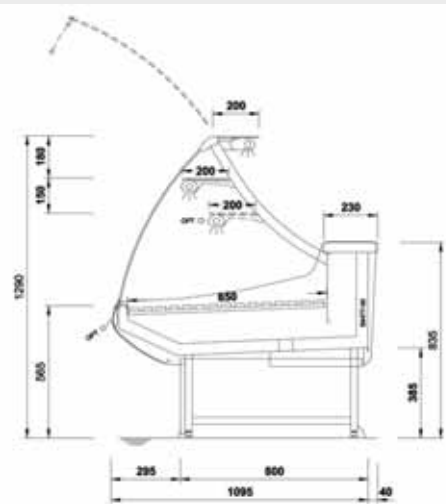
PASTRIES



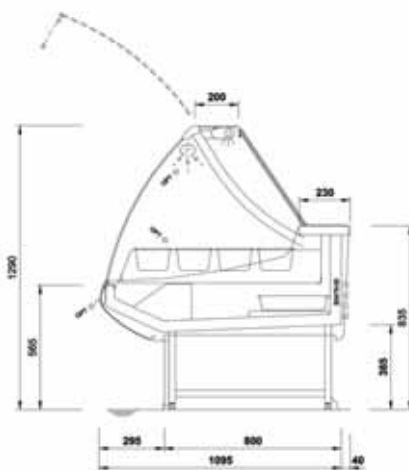
Ice cream



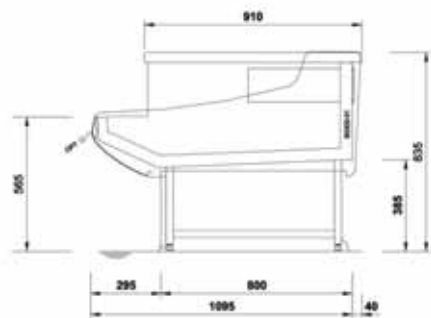
Bread



HOT HUMID



Check-out counter



LEGEND



Meat



Chicken



Fish



Pre-packed fish



Delicatessen



Cheese



Dairy products



Gastronomy



Pastries



Pre-packed fruit and vegetables



Fruit and Vegetables



Sandwiches



Drinks



Pizza



Chocolate



Bread



Frozen Food and Ice cream



Off-cycle defrost



Electric defrost



Hot-gas defrosting system



Manual defrost



Ventilated



Static



Incorporated condensing unit



Remote condensing unit



Bagnomaria



Ceramic glass



Ice



LED lighting