

Classic Line Summer



The soft lines and sophisticated design of Summer, an elegant furnishing element for any display area, give priority to functionality. The curved front posts, the glass top canopy and the anti-misting ventilation system guarantee excellent performance and give pride of place to the products on display.

PRODUCT CATEGORIES



TECHNICAL FEATURES



ACCESORIES



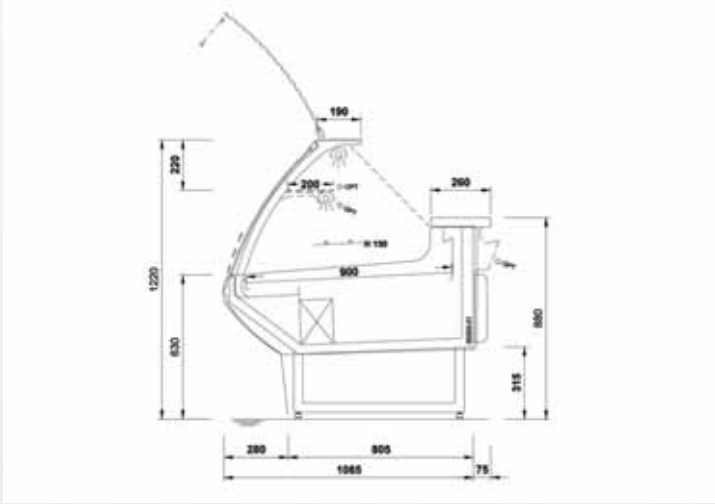
- Puerta corredera posterior en plexiglass con guía
- Anti-mist front baffle
- Rotating plate
- Night blinds
- Shelf
- High mobile divider
- Stepped decks
- Price ticket strip
- G-N pans (supplied separately)
- Basket rail with three tubes
- Low mobile divider
- Sliding machine/scale holder
- Polyethylene cutting board
- Refrigerated storage
- Bumper rail

TECHNICAL INFORMATION

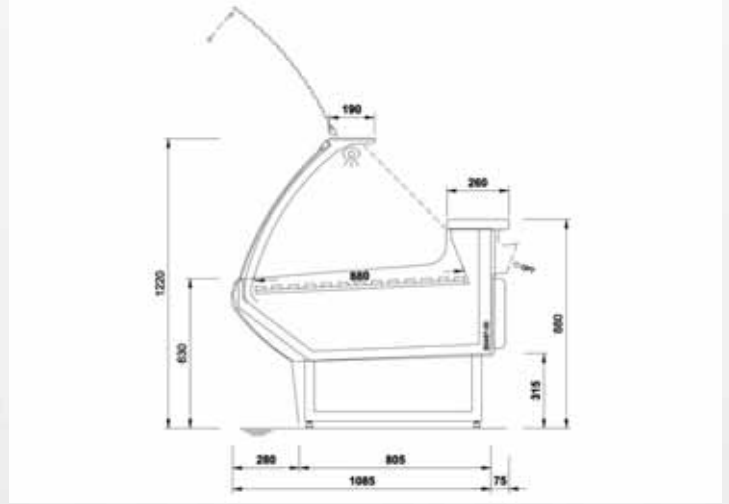


Refrigeration characteristics	290W/m
Climate class	3 25°C 60% RH
Product temperature class	3 M2
Refrigeration type	Ventilated
Lengths	1250-1563-1875-2500-3125-3750

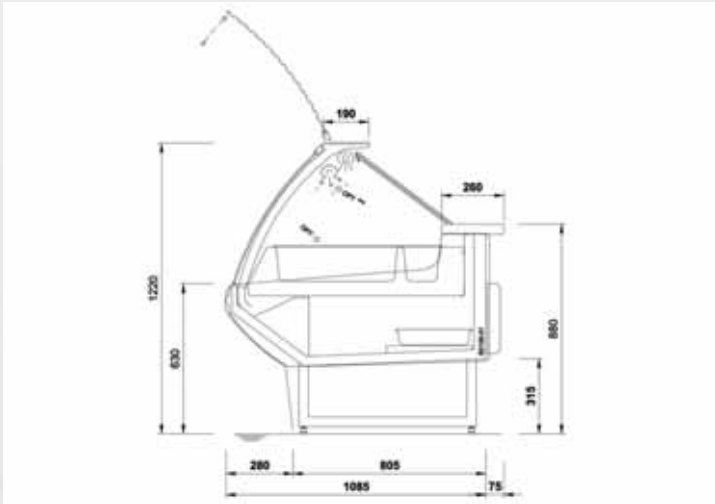
VENTILATED



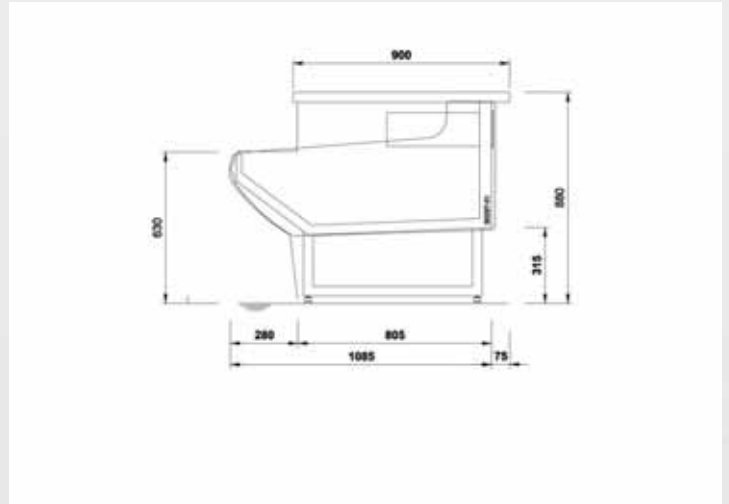
Bread



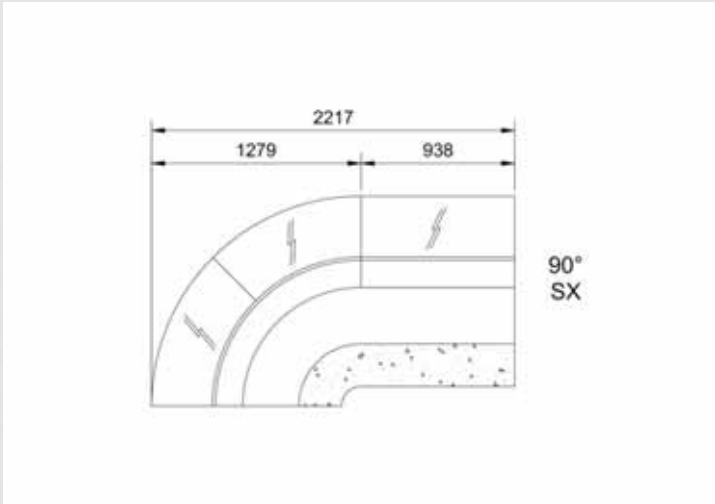
HOT HUMID



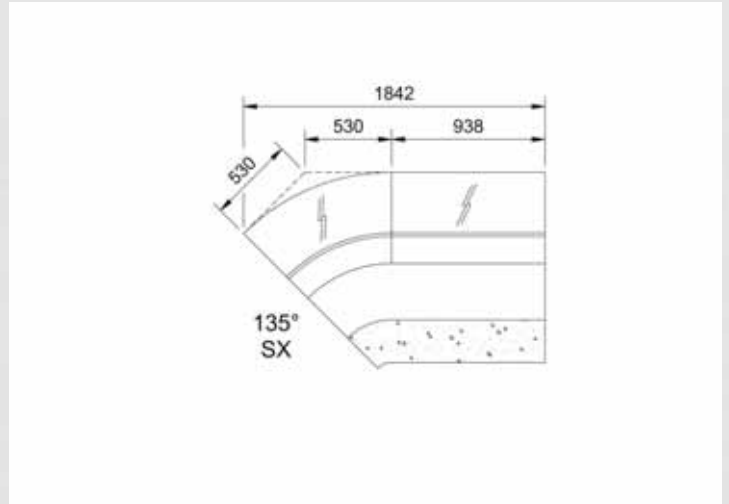
Check-out counter



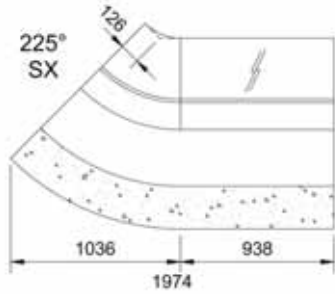
CORNERS 90° sx



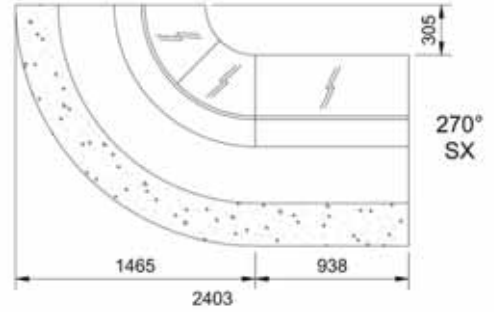
CORNERS 135° sx



CORNERS 225° sx



CORNERS 270° sx



LEGEND



Meat



Chicken



Fish



Pre-packed fish



Delicatessen



Cheese



Dairy products



Gastronomy



Pastries



Pre-packed fruit and vegetables



Fruit and Vegetables



Sandwiches



Drinks



Pizza



Chocolate



Bread



Frozen Food and Ice cream



Off-cycle defrost



Electric defrost



Hot-gas defrosting system



Manual defrost



Ventilated



Static



Incorporated condensing unit



Remote condensing unit



Bagnomaria



Ceramic glass



Ice



LED lighting