

## Classic Line Spring



Practicality assumes a shape. Springs becomes a plus for every point of sale. Able to provide maximum visibility to the goods on display, and solving all kinds of needs.

### PRODUCT CATEGORIES



### TECHNICAL FEATURES



## ACCESORIES



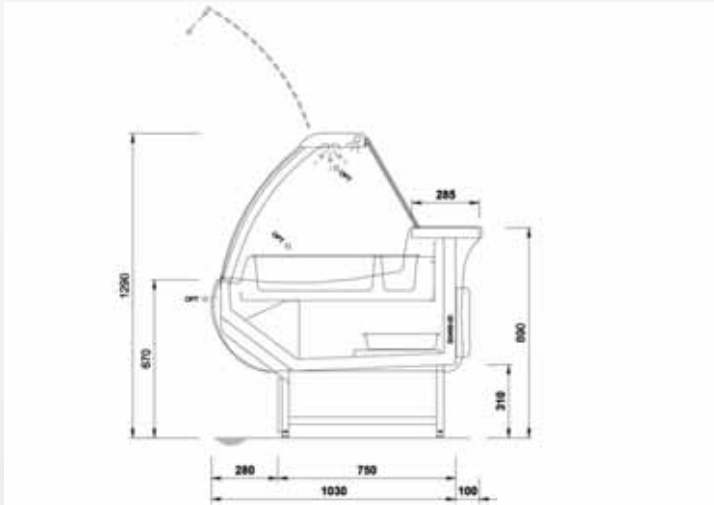
- Puerta corredera posterior en plexiglass con guía
- Anti-mist front baffle
- Rotating plate
- Night blinds
- Shelf
- Bumper rail
- High mobile divider
- Stepped decks
- Price ticket strip
- G-N pans (supplied separately)
- Basket rail with three tubes
- Low mobile divider
- Sliding machine/scale holder
- Polyethylene cutting board
- Refrigerated storage
- Paper holder

## TECHNICAL INFORMATION

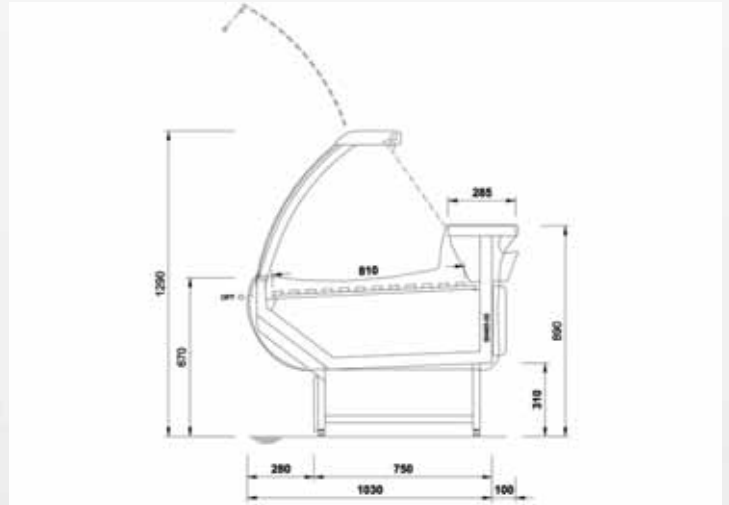


Refrigeration characteristics	290W/m
Climate class	3 25°C 60% RH
Product temperature class	3 M2
Refrigeration type	Ventilated
Lengths	1250-1563-1875-2500-3125-3750

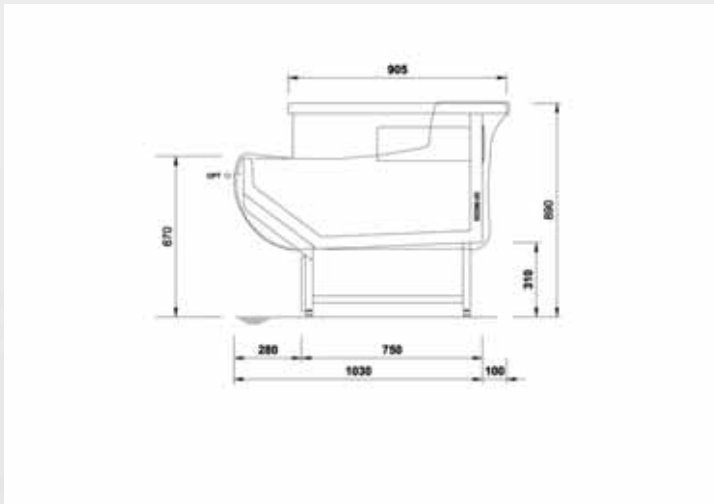
HOT HUMID



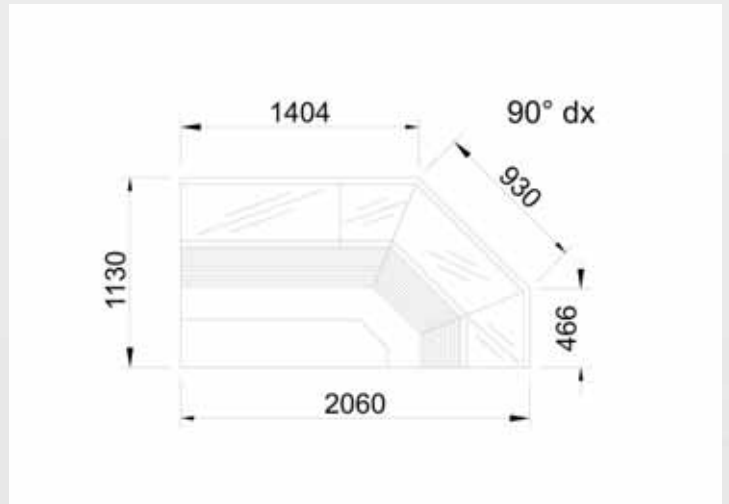
Bread



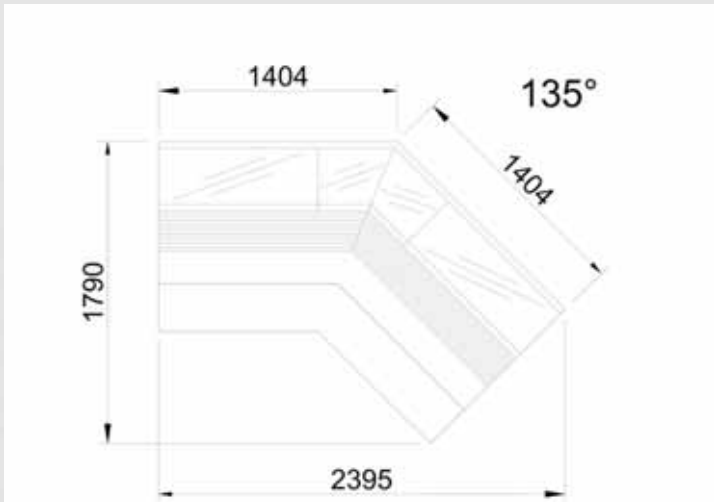
Check-out counter



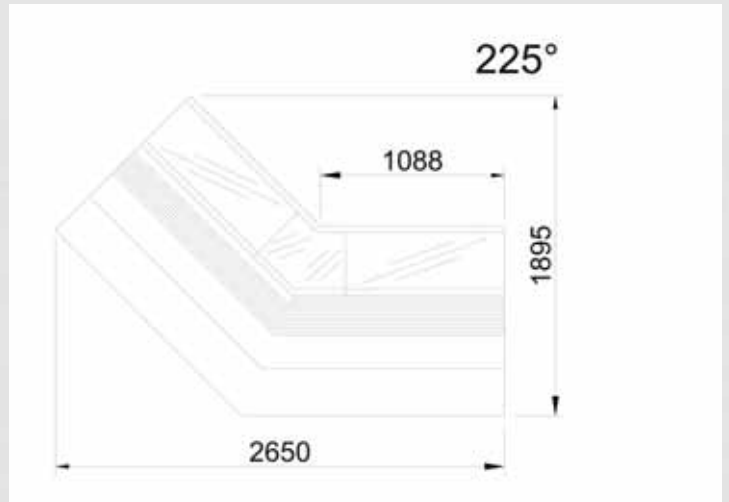
CORNERS 90° sx



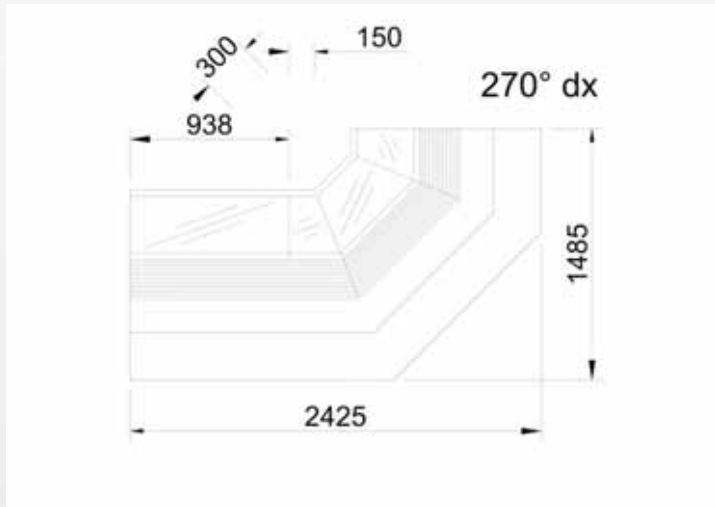
CORNERS 135° sx



CORNERS 225° sx



CORNERS 270° sx



## LEGEND



Meat



Chicken



Fish



Pre-packed fish



Delicatessen



Cheese



Dairy products



Gastronomy



Pastries



Pre-packed fruit and vegetables



Fruit and Vegetables



Sandwiches



Drinks



Pizza



Chocolate



Bread



Frozen Food and Ice cream



Off-cycle defrost



Electric defrost



Hot-gas defrosting system



Manual defrost



Ventilated



Static



Incorporated condensing unit



Remote condensing unit



Bagnomaria



Ceramic glass



Ice



LED lighting