

## Classic Line Soul



Functional aesthetics, that's Soul. A perfect result by the research and design centre. Attractively designed to meet the needs of greater visibility and performance in bakeries, confectioners, bars, and fast food outlets. A customizable counter providing a space where the displayed goods look spectacular. Design the space, enhance the product – that's Soul B. Its elegant, modern lines offer an exceptional match of design, technology and efficiency. Soul B's sleek design gives increased visibility to bakery, confectionery, café and fast food products. A customisable unit that frames the product on display with style.

### PRODUCT CATEGORIES



### TECHNICAL FEATURES



## ACCESORIES

---



- Bumper rail

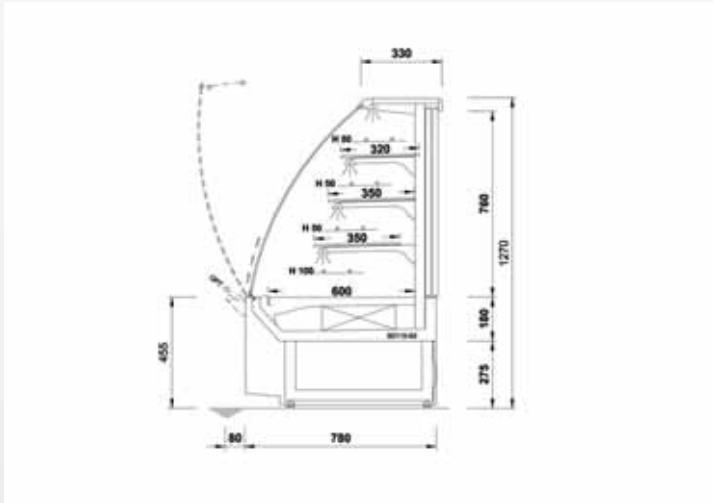
## TECHNICAL INFORMATION

---

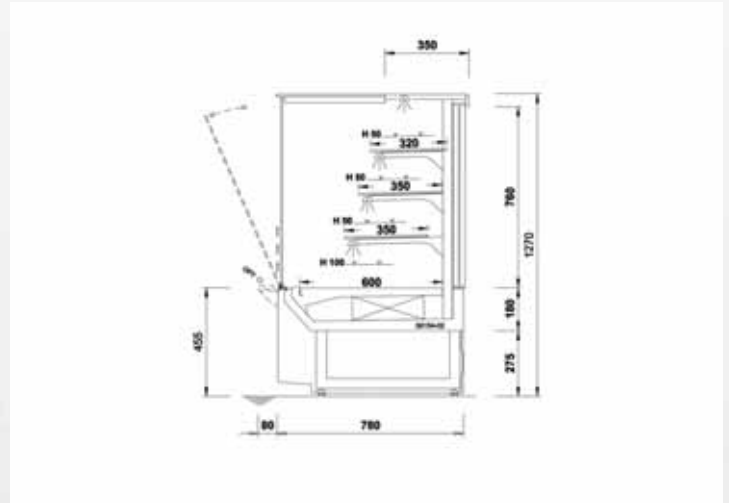


Refrigeration characteristics	670W/m
Climate class	3 25°C 60% RH
Product temperature class	3 M2
Refrigeration type	Ventilated
Lengths	938-1350

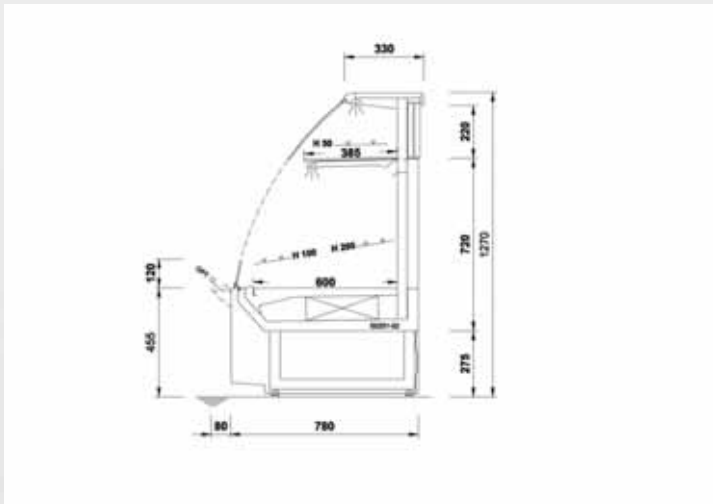
Soul



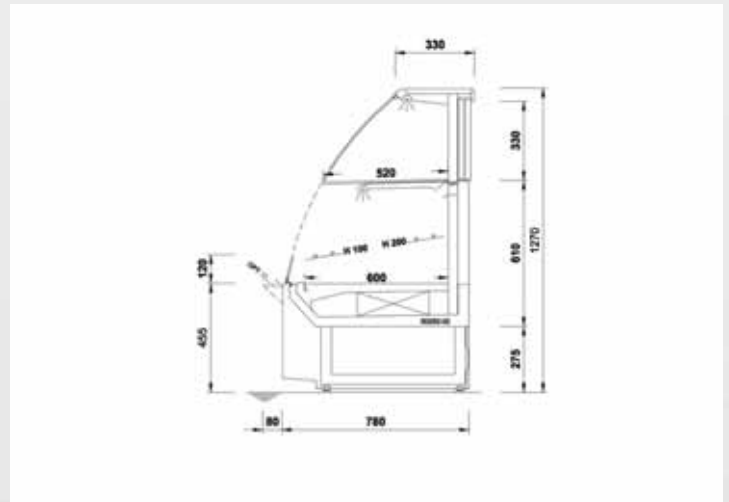
Soul B



SELF-SERVICE VERSION + REFRIGERATED ASSISTED SALES



SELF-SERVICE VERSION + NOT REFRIGERATED ASSISTED SALES



## LEGEND



Meat



Chicken



Fish



Pre-packed fish



Delicatessen



Cheese



Dairy products



Gastronomy



Pastries



Pre-packed fruit and vegetables



Fruit and Vegetables



Sandwiches



Drinks



Pizza



Chocolate



Bread



Frozen Food and Ice cream



Off-cycle defrost



Electric defrost



Hot-gas defrosting system



Manual defrost



Ventilated



Static



Incorporated condensing unit



Remote condensing unit



Bagnomaria



Ceramic glass



Ice



LED lighting