

Classic Line Flat



Flat is the latest product of eurocryor research - The innovative refrigerated table with patent. Flat looks just like an authentic table, only 4 cm thick - a sophisticated design object protected by totally transparent square glass panes, capable of delivering maximum possible visibility of the goods on display.

PRODUCT CATEGORIES



TECHNICAL FEATURES



ACCESORIES



• Anti-mist front baffle

• Price ticket strip

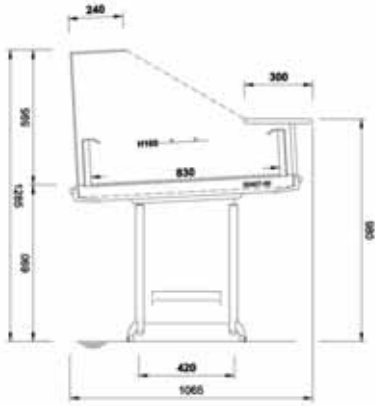
• Bumper rail

TECHNICAL INFORMATION

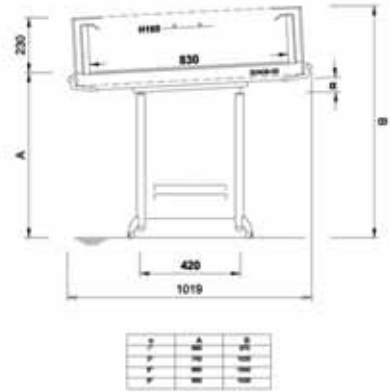


Refrigeration characteristics	880W
Climate class	3 25°C 60% RH
Product temperature class	3 M2
Refrigeration type	Ventilated
Lengths	1270X1020

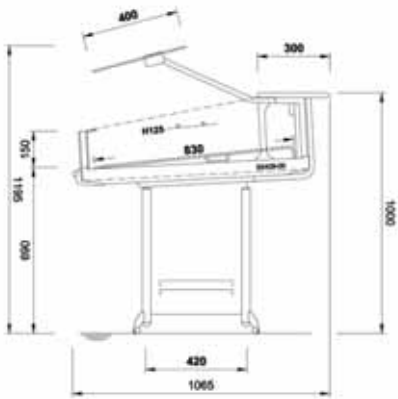
ASSISTED SALES



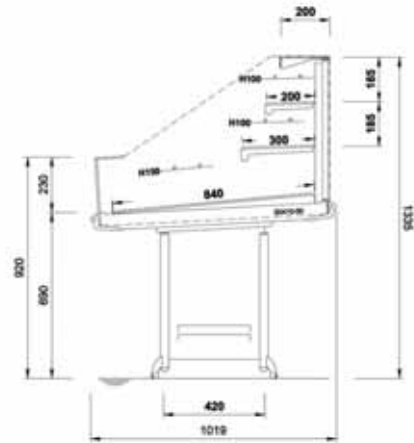
SELF-SERVICE



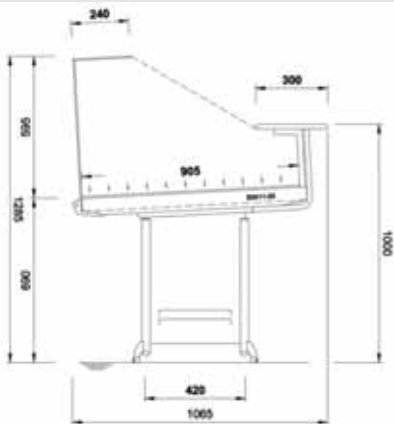
With sneeze guard



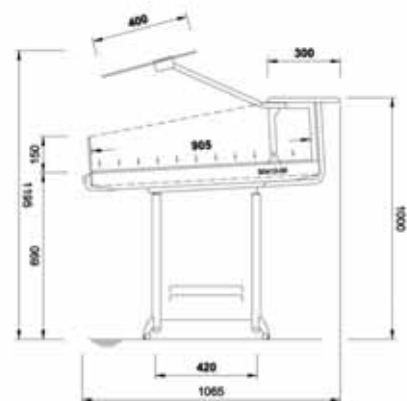
Semivertical



ASSISTED SALES Hot snack version



Hot snack version with sneeze guard



LEGEND



Meat



Chicken



Fish



Pre-packed fish



Delicatessen



Cheese



Dairy products



Gastronomy



Pastries



Pre-packed fruit and vegetables



Fruit and Vegetables



Sandwiches



Drinks



Pizza



Chocolate



Bread



Frozen Food and Ice cream



Off-cycle defrost



Electric defrost



Hot-gas defrosting system



Manual defrost



Ventilated



Static



Incorporated condensing unit



Remote condensing unit



Bagnomaria



Ceramic glass



Ice



LED lighting