

## Classic Line Butterfly Plus



The gentle, rounded lines of Butterfly give the retailer a distinctive, modern style and a wide variety of products – selected to suit different needs – can be displayed. The different corners available mean Butterfly can be configured for the best display layout, with the possibility of choosing the Plus version fitted with an upper glass shelf and double lighting.

### PRODUCT CATEGORIES



### TECHNICAL FEATURES



## ACCESORIES



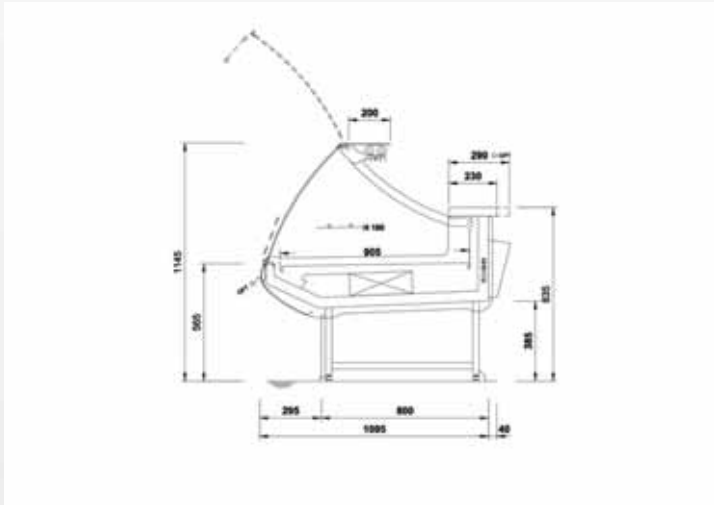
- High mobile divider
- Stepped decks
- Knives holder
- Electrical sockets
- Shelf
- Bumper rail
- Low mobile divider
- Sliding machine/scale holder
- Paper roll holder
- Polyethylene cutting board
- Basket rail with three tubes
- Anti-mist front baffle
- Rotating plate
- Price ticket strip
- Night blinds
- Paper holder

## TECHNICAL INFORMATION

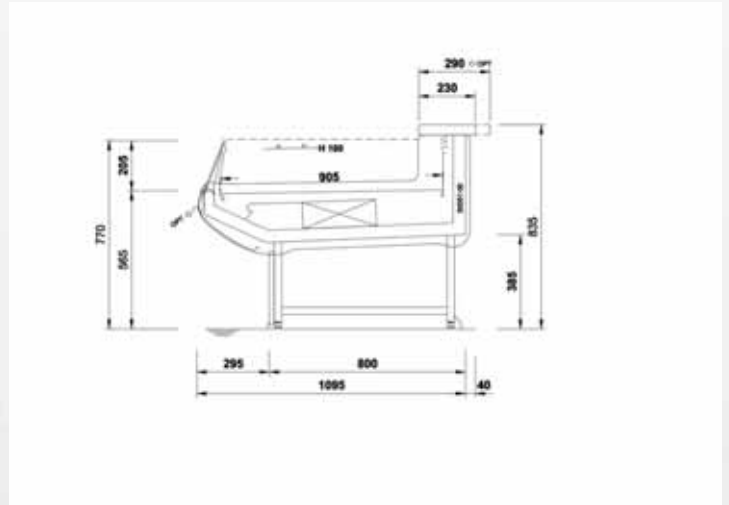


Refrigeration characteristics	290W/m
Climate class	3 25°C 60% RH
Product temperature class	3 M2
Refrigeration type	Ventilated
Lengths	1250-1875-2500-3125-3750

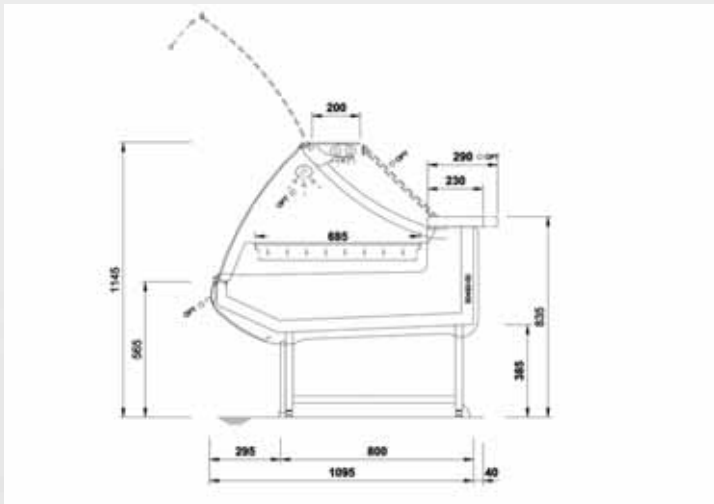
VENTILATED



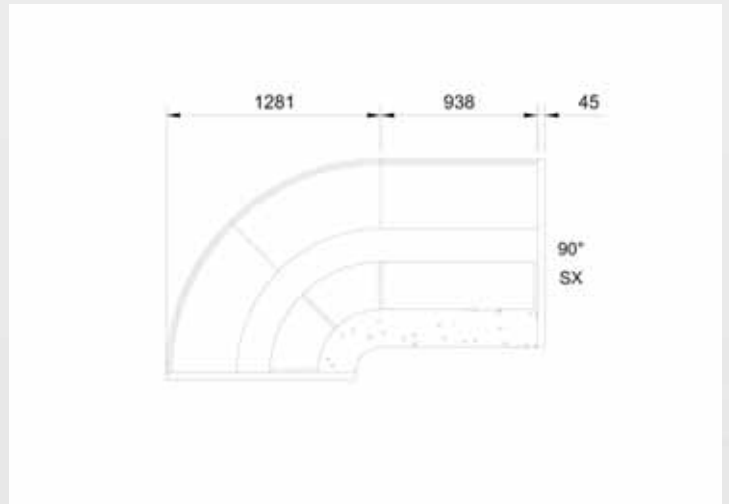
SELF-SERVICE



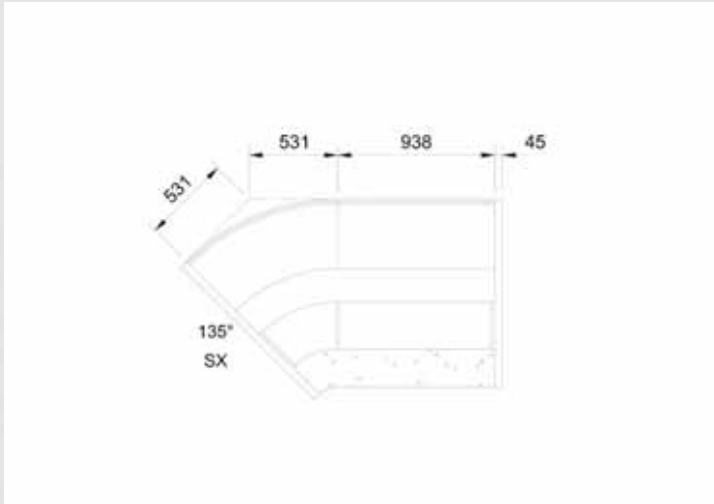
HEATED BASE



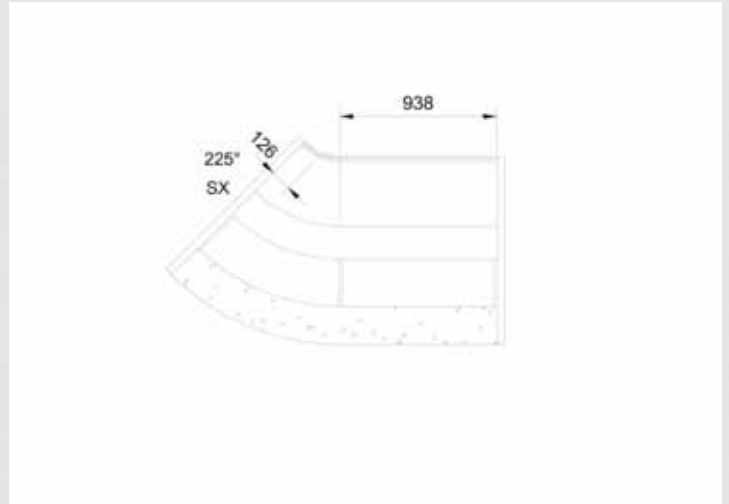
CORNERS 90° sx



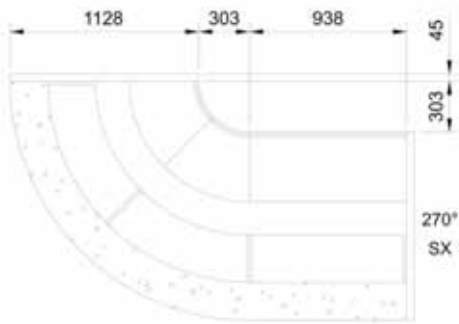
CORNERS 135° sx



CORNERS 225° sx



CORNERS 270° sx



## LEGEND



Meat



Chicken



Fish



Pre-packed fish



Delicatessen



Cheese



Dairy products



Gastronomy



Pastries



Pre-packed fruit and vegetables



Fruit and Vegetables



Sandwiches



Drinks



Pizza



Chocolate



Bread



Frozen Food and Ice cream



Off-cycle defrost



Electric defrost



Hot-gas defrosting system



Manual defrost



Ventilated



Static



Incorporated condensing unit



Remote condensing unit



Bagnomaria



Ceramic glass



Ice



LED lighting