

Flexible Line Vista



Vista is a refrigerated display unit designed to encourage impulse buying.

PRODUCT CATEGORIES



TECHNICAL FEATURES



ACCESORIES



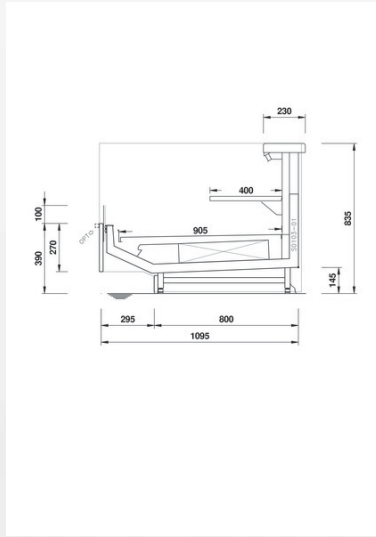
- Rotating plate
- Floor tubular bumper rail
- Price ticket strip
- Tubular bumper rail on canopy
- Basket rail with three tubes

TECHNICAL INFORMATION



Climate class	3
Product temperature class	3m2
Refrigeration type	Ventilated
Refrigeration characteristics	290/W

Vista



LEGEND



Meat



Chicken



Fish



Pre-packed fish



Delicatessen



Cheese



Dairy products



Gastronomy



Pastries



Pre-packed fruit and vegetables



Fruit and Vegetables



Sandwiches



Drinks



Pizza



Chocolate



Bread



Frozen Food and Ice cream



Off-cycle defrost



Electric defrost



Hot-gas defrosting system



Manual defrost



Ventilated



Static



Incorporated condensing unit



Remote condensing unit



Bagnomaria



Ceramic glass



Ice



LED lighting