

Flexible Line Panorama



A showcase designed for perfect display of products - with absolutely no frame or supports for total visibility.

PRODUCT CATEGORIES



TECHNICAL FEATURES



ACCESORIES



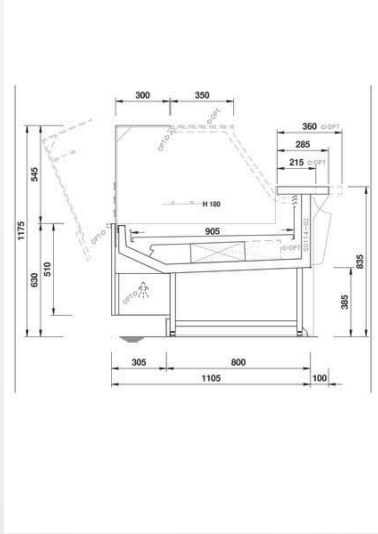
- Front basket/bottle display rack
- Low mobile divider
- Stepped decks
- 360mm Back-shelf paper holder
- Price ticket strip
- Night blinds
- Low temperature
- Basket rail with three tubes
- Floor tubular bumper rail
- Puerta corredera posterior en plexiglass con guía
- Anti-mist front baffle
- Sliding machine/scale holder
- Knives holder
- Electrical sockets
- G-N pans (supplied separately)
- Refrigerated storage
- Paper holder
- Tubular bumper rail on canopy
- High mobile divider
- Hooksrear supports (supplied separately)
- Rotating plate
- Paper roll holder
- Polyethylene cutting board
- Fish tanks
- Shelf
- Double paper holder

TECHNICAL INFORMATION

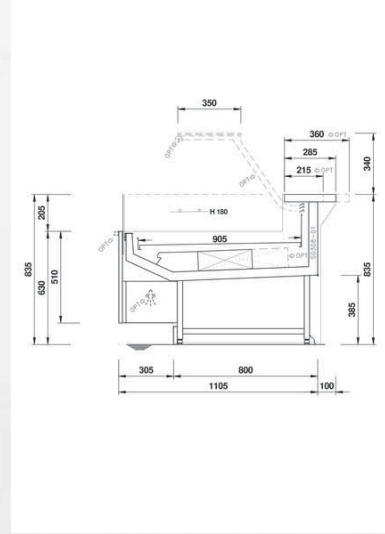


Climate class	3
Product temperature class	3m1
Refrigeration type	Ventilated
Refrigeration characteristics	290/W

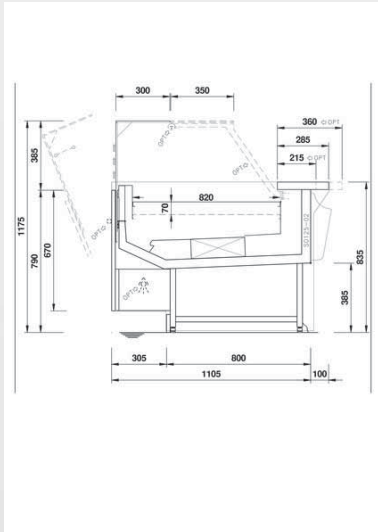
VENTILATED



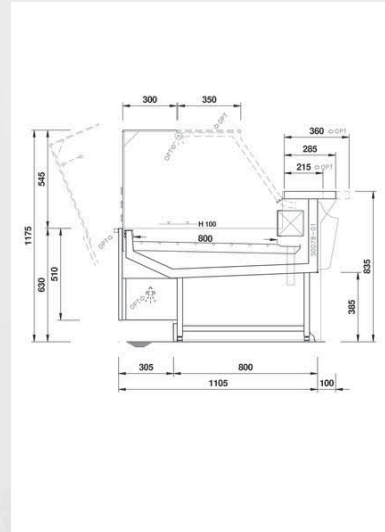
SELF-SERVICE



Deep Display

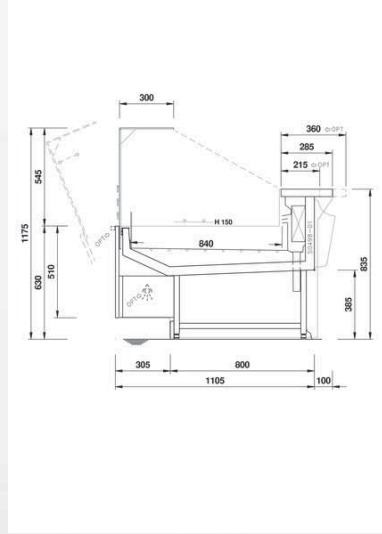
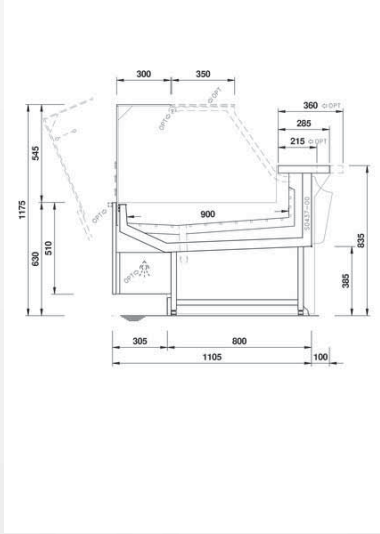


COILED DECK



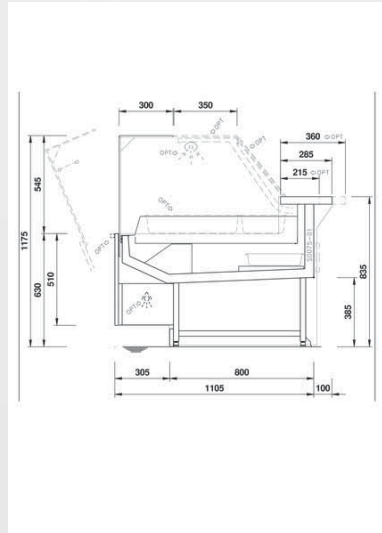
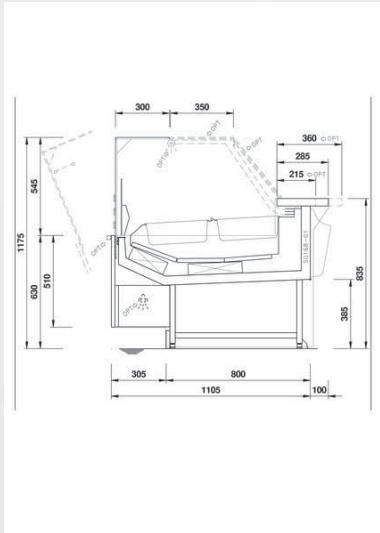
Refrigerated back panel

Dynamic



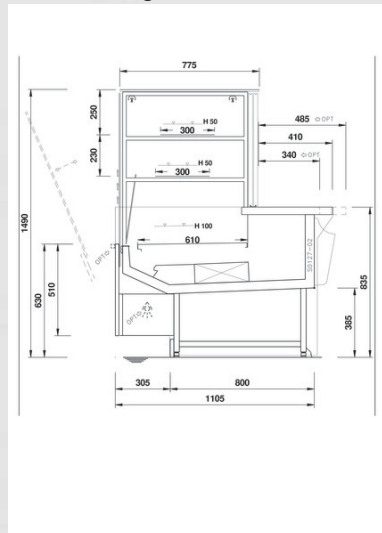
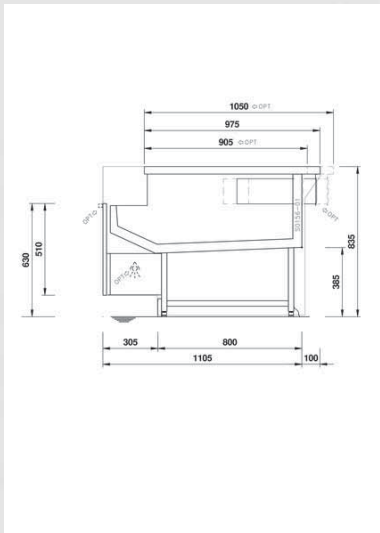
Ice cream

HOT HUMID

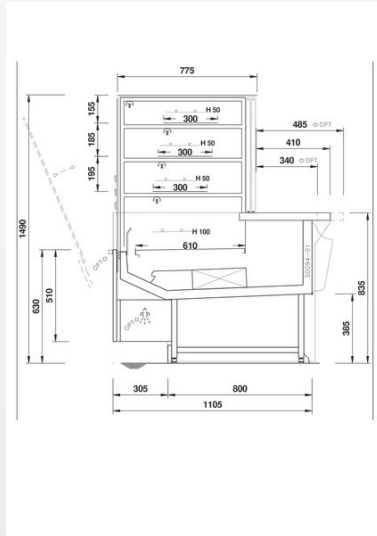


Built-in checkout counter

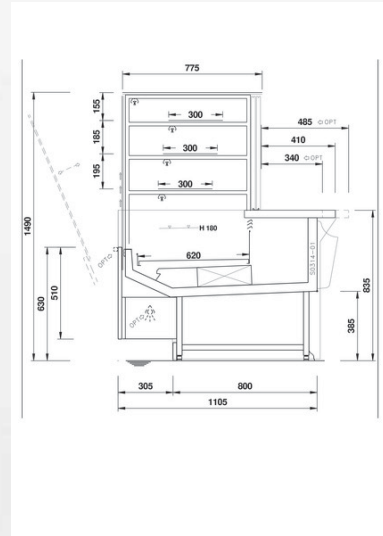
Refrigerated tower



Chocolate tower



Neutral tower with ventilated section



LEGEND



Meat



Chicken



Fish



Pre-packed fish



Delicatessen



Cheese



Dairy products



Gastronomy



Pastries



Pre-packed fruit and vegetables



Fruit and Vegetables



Sandwiches



Drinks



Pizza



Chocolate



Bread



Frozen Food and Ice cream



Off-cycle defrost



Electric defrost



Hot-gas defrosting system



Manual defrost



Ventilated



Static



Incorporated condensing unit



Remote condensing unit



Bagnomaria



Ceramic glass



Ice



LED lighting