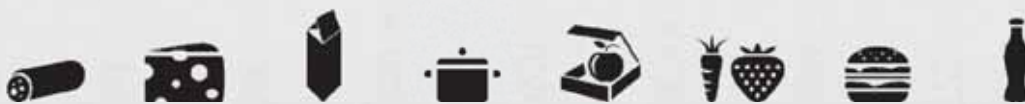


Classic Line Midi Twin



The Twin line of self-serve cabinets represents Eurocryor's interpretation of a display island: extensive customisation possibilities and maximum emphasis on product displayed. A transparent back panel actually provides a natural luminosity that highlights the freshness of the foodstuffs. The absolute plus of this line is 3-dimensional modularity: the ideal solution for every store.

PRODUCT CATEGORIES



TECHNICAL FEATURES



ACCESORIES



• Price ticket strip

• Night blinds

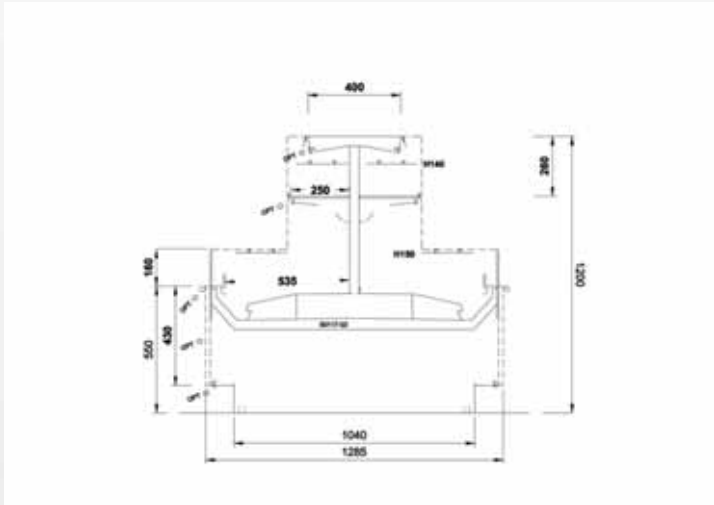
• Bumper rail

TECHNICAL INFORMATION

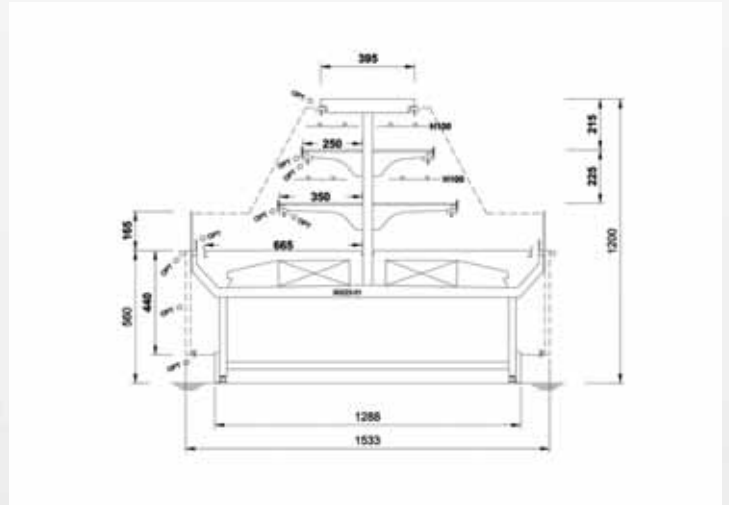


Refrigeration characteristics	1590W/m
Climate class	3 25°C 60% RH
Product temperature class	3 M2
Refrigeration type	Ventilated
Lengths	1250-1875-2500-3750-MT

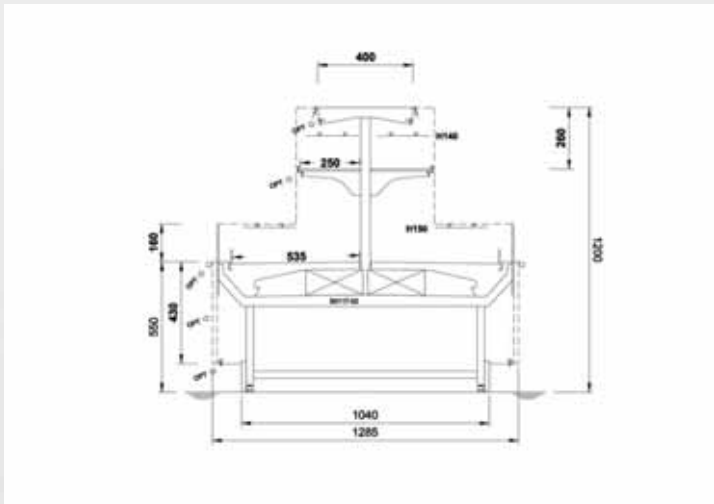
Mini Twin



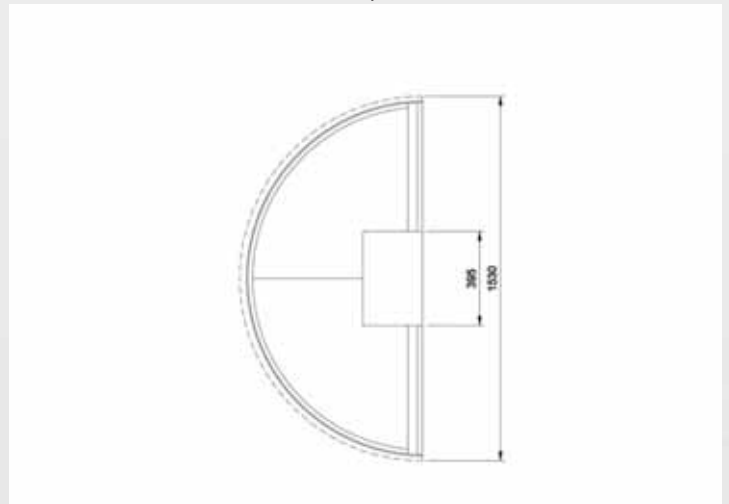
Twin Midi



Mini Twin



Head case plant view



LEGEND



Meat



Chicken



Fish



Pre-packed fish



Delicatessen



Cheese



Dairy products



Gastronomy



Pastries



Pre-packed fruit and vegetables



Fruit and Vegetables



Sandwiches



Drinks



Pizza



Chocolate



Bread



Frozen Food and Ice cream



Off-cycle defrost



Electric defrost



Hot-gas defrosting system



Manual defrost



Ventilated



Static



Incorporated condensing unit



Remote condensing unit



Bagnomaria



Ceramic glass



Ice



LED lighting