

Classic Line Eclipse



Form, technology and style summarise the Eclipse range, a self-serve display case with or without built-in unit, that is capable of making the most of all the display spaces in any sales area. Round, tear-drop shaped or elliptical: the perfect shape.

PRODUCT CATEGORIES



TECHNICAL FEATURES



ACCESORIES



• Anti-mist front baffle

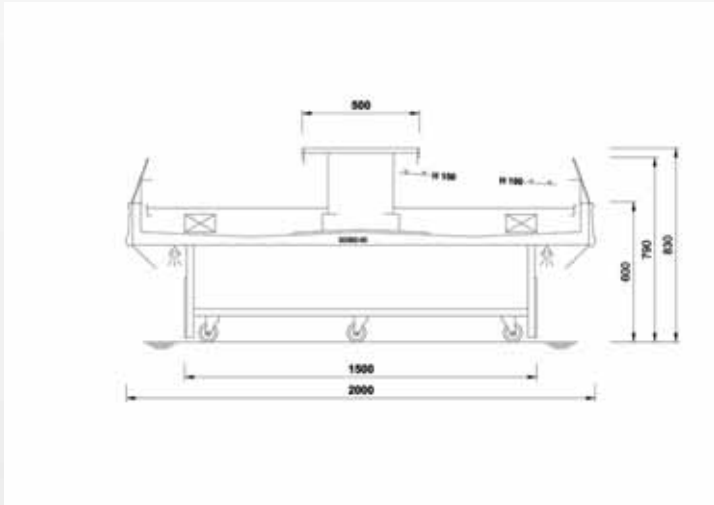
• Bumper rail

TECHNICAL INFORMATION

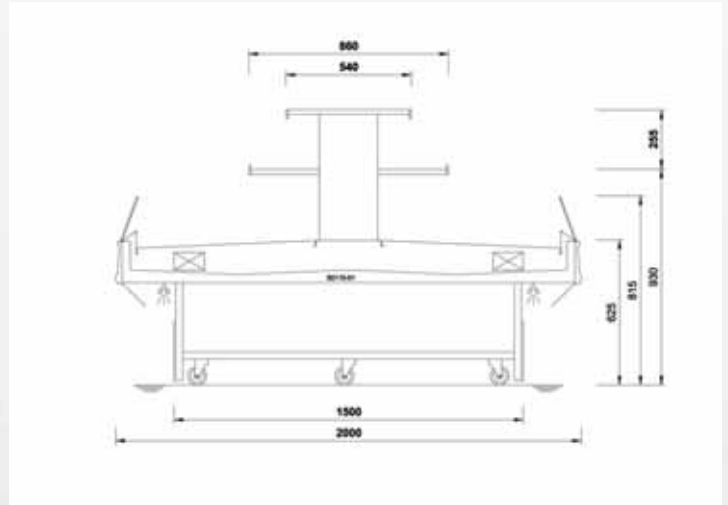


Refrigeration characteristics	1125W/m
Climate class	3 25°C 60% RH
Product temperature class	3 M2
Refrigeration type	Ventilated
Lengths	2000X2000

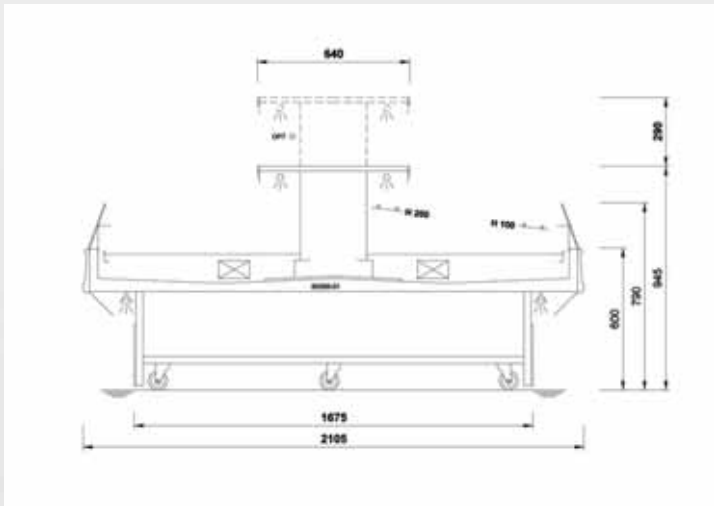
Eclipse



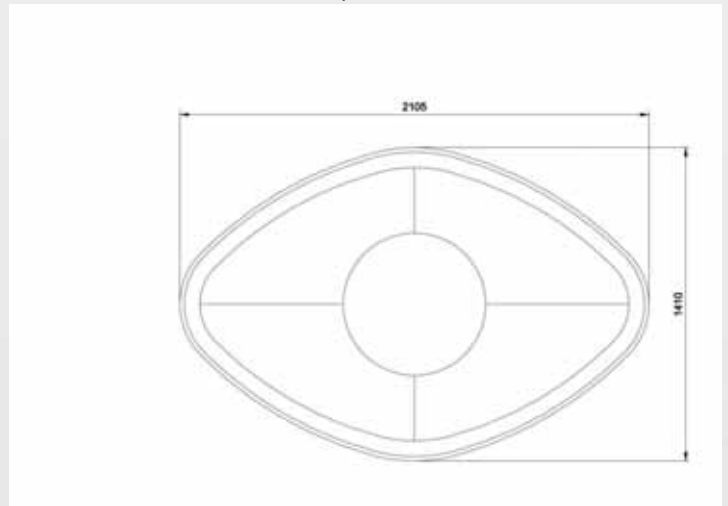
Eclipse II



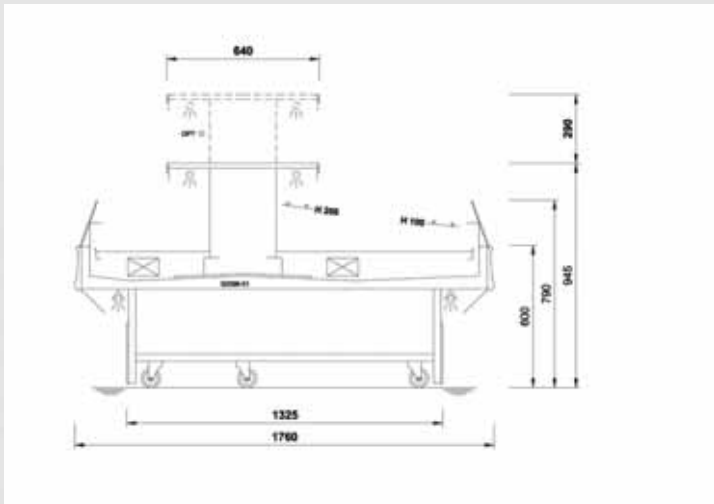
Elisse



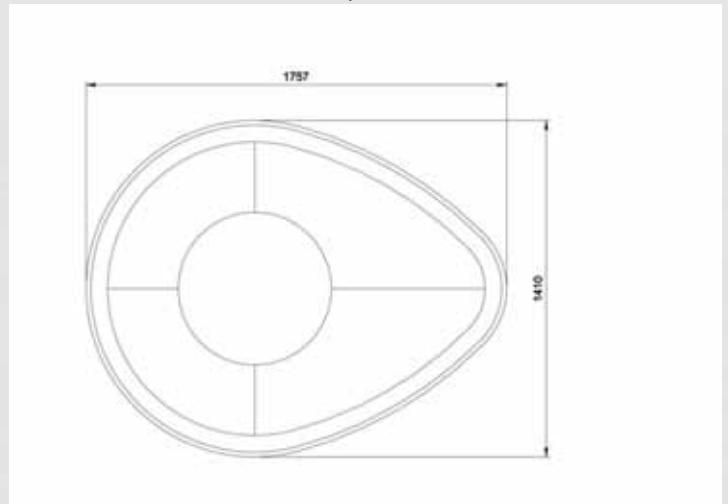
Elisse plant view



Goccia



Goccia plant view



LEGEND



Meat



Chicken



Fish



Pre-packed fish



Delicatessen



Cheese



Dairy products



Gastronomy



Pastries



Pre-packed fruit and vegetables



Fruit and Vegetables



Sandwiches



Drinks



Pizza



Chocolate



Bread



Frozen Food and Ice cream



Off-cycle defrost



Electric defrost



Hot-gas defrosting system



Manual defrost



Ventilated



Static



Incorporated condensing unit



Remote condensing unit



Bagnomaria



Ceramic glass



Ice



LED lighting