

Flexible Line Aere



The simplicity of the structure, softened by fluid, sculptural lines, gives the products absolute pride of place. Aere, functional and adaptable to different needs, becomes a valuable element of the sales outlet, a testament to elegance and simplicity.

PRODUCT CATEGORIES



TECHNICAL FEATURES



ACCESORIES



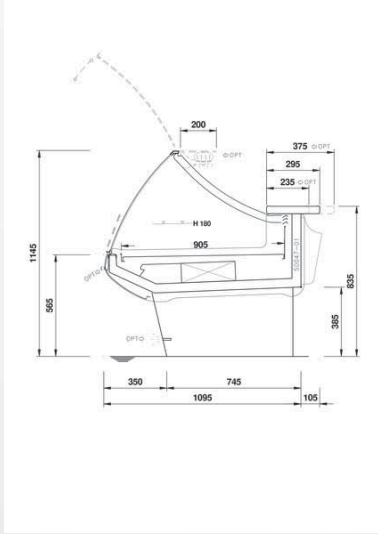
- | | | |
|--|---|--|
| <ul style="list-style-type: none"> • Front basket/bottle display rack • Low mobile divider • Stepped decks • 360mm Back-shelf paper holder • Price ticket strip • Night blinds • Low temperature • Basket rail with three tubes • Floor tubular bumper rail | <ul style="list-style-type: none"> • Puerta corredera posterior en plexiglass con guía • Anti-mist front baffle • Sliding machine/scale holder • Knives holder • Electrical sockets • G-N pans (supplied separately) • Refrigerated storage • Paper holder • Tubular bumper rail on canopy | <ul style="list-style-type: none"> • High mobile divider • Hooksrear supports (supplied separately) • Rotating plate • Paper roll holder • Polyethylene cutting board • Fish tanks • Shelf • Double paper holder |
|--|---|--|

TECHNICAL INFORMATION

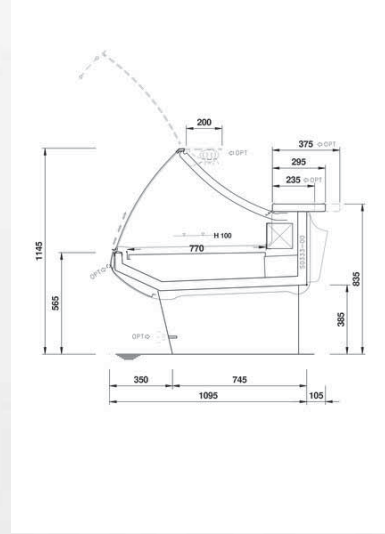


Climate class	3
Product temperature class	3m1
Refrigeration type	Ventilated
Refrigeration characteristics	290/W

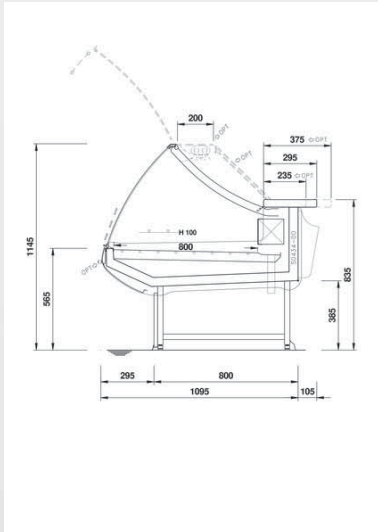
VENTILATED



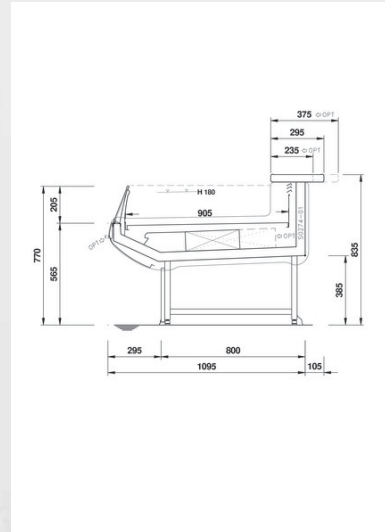
Static



COILED DECK

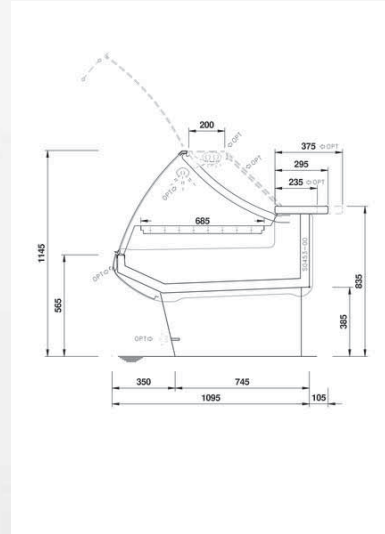
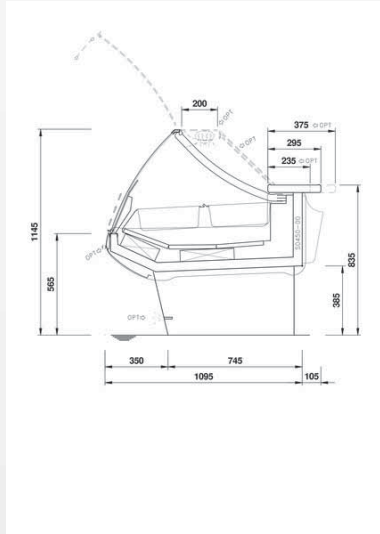


SELF-SERVICE

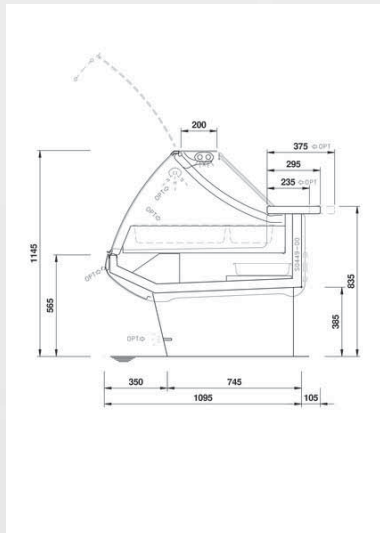


Ice cream

HEATED BASE



HOT HUMID



LEGEND



Meat



Chicken



Fish



Pre-packed fish



Delicatessen



Cheese



Dairy products



Gastronomy



Pastries



Pre-packed fruit and vegetables



Fruit and Vegetables



Sandwiches



Drinks



Pizza



Chocolate



Bread



Frozen Food and Ice cream



Off-cycle defrost



Electric defrost



Hot-gas defrosting system



Manual defrost



Ventilated



Static



Incorporated condensing unit



Remote condensing unit



Bagnomaria



Ceramic glass



Ice



LED lighting