



G4 GEMINI SATELLITE COFFEE BREWERS WITH INTELLIFRESH®

MODELS: G4GEMSIF63A1000, G4GEMTIF10A1000
G4GEMSIF63B1000, G4GEMTIF10B1000



G4GEMSIF63A1000
Single 1.5 Gallon IntelliFresh® Coffee Brewer
(Stainless Steel, Dual Voltage)



G4GEMTIF10A1000
Twin 1.5 Gallon IntelliFresh® Coffee Brewer
(Stainless Steel)



G4GEMSIF63B1000
Single 1.5 Gallon IntelliFresh® Coffee Brewer
(Black Powder Coated, Dual Voltage)



G4GEMTIF10B1000
Twin 1.5 Gallon IntelliFresh® Coffee Brewer
(Black Powder Coated)

PERFECT HEAT, PERFECT TIMING, PERFECT BREW.

G4 Technology with IntelliFresh® delivers advancements to make brewing and dispensing of hot, fresh, gourmet coffee and tea even easier. Its simple, intuitive, icon-driven interface includes features that simplify brewing operations, provide fast and intuitive training and reduce service calls and cost.

With a wide selection of features and programming flexibility, Curtis has taken coffee brewing technology to a new heights with the Generation Four Brewing Systems.

ITEM NO

PROJECT

DATE

G4 TECHNOLOGY FEATURES

- Large, 4.3" touch screen.
- Icon-driven interface streamlines and simplifies operation.
- Real time feedback of the brewing process helps eliminate user error.
- Built-in self diagnostics alert operator of system failure and when preventive maintenance is needed.
- Energy-saving mode is easily customized to specific operator needs and applications.
- Patented G4 digital controller used in multiple Curtis brewing systems, reducing parts inventory.

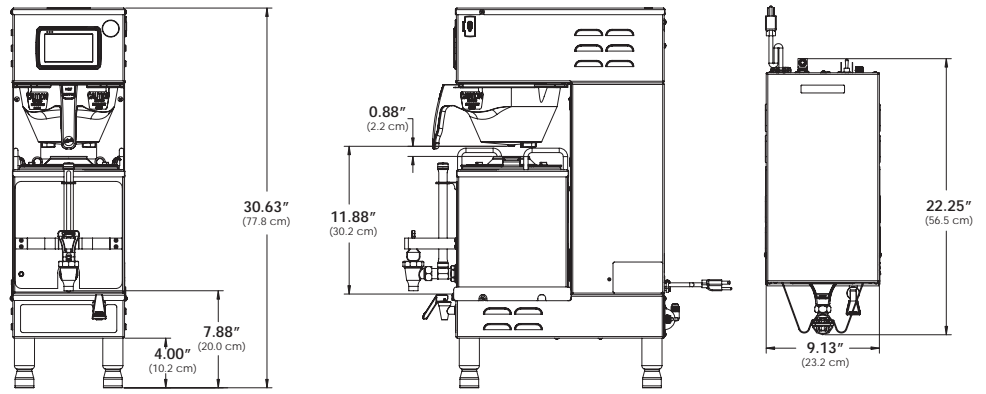
SATELLITE FEATURES

- LED notification of freshness timing.
- PID (Proportional Integral Derivative) IntelliFresh technology ensures consistent temperature in satellites regardless of time and volume.
- **Water Resistant** — Can be immersed without compromising the electronic control board.
- Water-safe and a large top opening to allow for ease of cleaning.
- **Quality Timer and Temperature** — Factory set, but adjustable from the brewer's controller without opening the satellite cabinet.
- Move satellites to a remote warmer decks without affecting the Quality Timer.

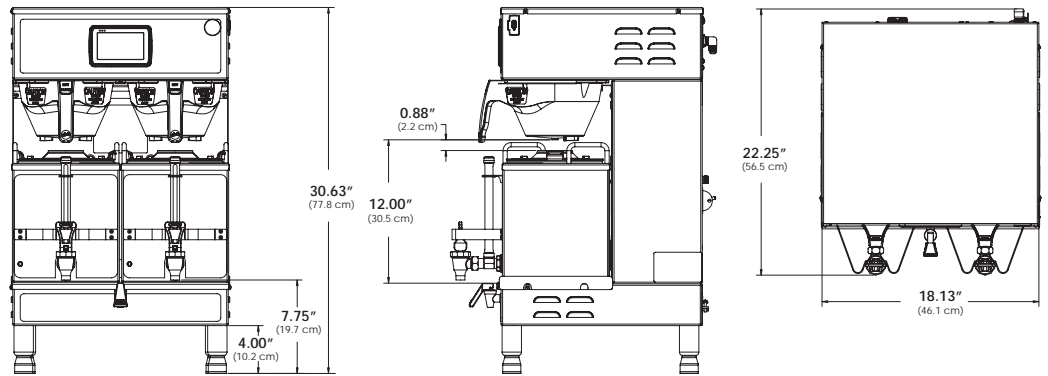
MINERAL TOLERANT DESIGN

- **AFS (Advanced Flow Sprayhead)** — Prevents lime particles from impeding water flow through the sprayhead while immediately flooding the grounds.
- Fully digital temperature sensor located outside of the water tank (no water contact).
- **Water Tanks** — Reverse-Osmosis-Water (RO) bathed and silver soldered welds for increased scale and corrosion resistance.
- **PM Notification Display** — Water error code if interruption in water flow occurs.
- **Mineral Sensing Technology** — Notifies user of scale build up.
- Holds coffee at precise, pre-determined temperature with little or no variation.

**G4GEMSIF63A1000/
G4GEMSIF63B1000**
(Single Coffee Brewers)



**G4GEMTIF10A1000/
G4GEMTIF10B1000**
(Twin Coffee Brewers)



BREWER SPECIFICATIONS

MODEL #	DIMENSIONS (H x W x D)	PHASE	VOLTS	AMPS	WIRE	WATTS	HERTZ	GAL/HR	WATER CONNECTOR	SHIP WEIGHT	SHIP CUBE
G4GEMSIF63A1000	30.63" x 9.13" x 22.25"	1 PH	120/220V	15.0/12.7A	3W+G	1800/3300W	50/60 Hz	4.5/7.5	3/8" Flare	50.0 lbs.	6.7 cu. ft.
G4GEMTIF10A1000	30.63" x 18.13" x 22.25"	1 PH	220V	23.6/35.4A	3W+G	5200/7600W	50/60 Hz	15.0/21.0	3/8" Flare	85.0 lbs.	10.9 cu. ft.
G4GEMSIF63B1000	30.63" x 9.13" x 22.25"	1 PH	120/220V	15.0/12.7A	3W+G	1800/3300W	50/60 Hz	4.5/7.5	3/8" Flare	50.0 lbs.	6.7 cu. ft.
G4GEMTIF10B1000	30.63" x 18.13" x 22.25"	1 PH	220V	23.6/35.4A	3W+G	5200/7600W	50/60 Hz	15.0/21.0	3/8" Flare	85.0 lbs.	10.9 cu. ft.

DISPENSER AND REMOTE WARMER STANDS



SPECIFICATIONS SUBJECT TO CHANGE WITHOUT NOTICE



WILBUR CURTIS CO., INC
6913 Acco Street, Montebello, CA 90640-5403
Telephone: 800-421-6150 · 323-837-2300
Fax: 323-837-2406
www.wilburcurtis.com

