



G4 CGC® SINGLE CUP BREWING SYSTEMS

MODELS: CGC



The Curtis Single Cup® Brewer. Precision Control Yields Hand-Crafted Flavor.

Brewing to the SCAA's Golden Cup standards, the Curtis Gold Cup Brewer gives operators precise control over crucial variables such as time, temperature and contact time that results in brewing a true SCAA standard, Golden Cup of coffee. Why is this so important? Coffee brewing has evolved from a "cup of joe" into an art form. Coffee enthusiasts continue to drive this rapidly growing business with more and more consumers appreciating and demanding unique blends, while exploring and appreciating the nuances and subtleties of individual roasts. The Curtis Gold Cup gives premium coffee the credibility it deserves, and it gives consumers the ultimate coffee experience.

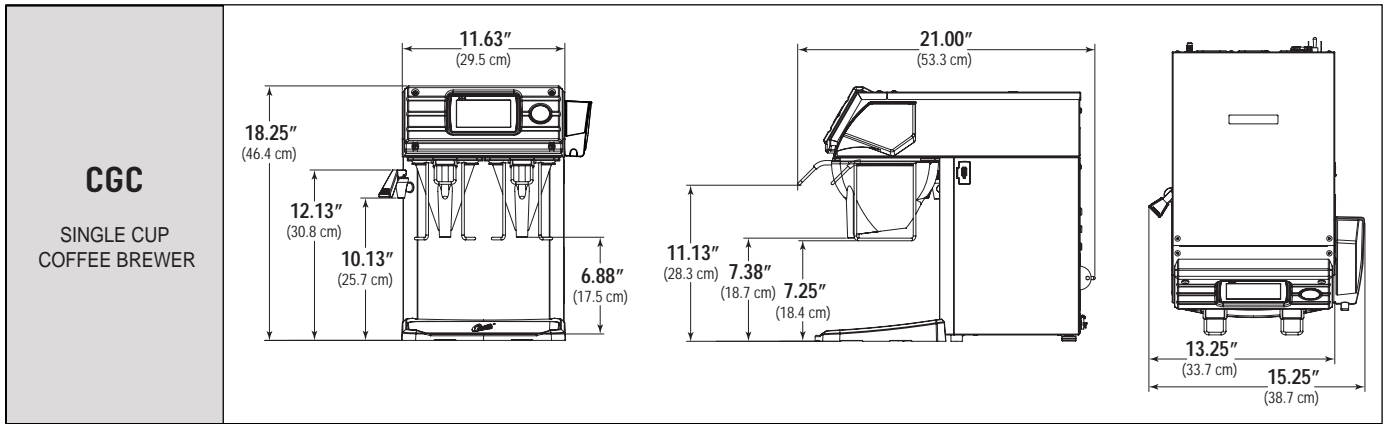
ITEM NO

PROJECT

DATE

FEATURES AT A GLANCE

- **G4 Technology** – Powerful digital controls and ultimate programming flexibility. Accelerated design and functionality are featured through an intuitive touch screen and icon-driven interface that provides users with training, programming options and seamless operation. Quick navigation to temperature, timers, pre-infusion, pulsing and more allow for finely tuned, exacting programming. Built-in self diagnostics provide preventive maintenance recommendations to ensure consistent and reliable performance.
- **The Brew Cone** – The true beauty of the brew cone lies in the shape and geometry of its design. Uniform ridges gently hold the filter away from the sides and bottom to allow for optimum extraction. Patent pending, years went into the concept and the development of the cone to perfect the brewing process and provide the Golden Cup coffee results.
- **Siphon Technology** – During the brewing process, the brew cone's siphon allows for a water level to rise to the perfect level without exiting. A pre-infusion in its purest form, this patented feature produces the true profile of the intended roast taste and experience.
- **Pre-Wet/Wash Filter Function** – Many shops pre-wet their filters in an effort to remove any paper taste from interfering with the finished brew. The Curtis Gold Cup has a pre-wet function that streams hot water over the paper filter to eliminate any undesirable paper taste prior to brewing
- **On-Site Updates** – With the Curtis Gold Cup you can instantly update firmware and software through its USB port. As new features become available, the Curtis Gold Cup software can always stay current with a quick download from wilburcurtis.com to any USB flashdrive device. Simply plug the drive into the USB port, the machine will instantly reset and you are ready to go.
- **Hot Water Faucet** – A standard feature, perfect for either pre-heating a cup or drawing hot water for tea.
- **Pillow Pack Brew Cone** – The Curtis Gold Cup brewer also features an optional brew cone designed specifically for pillow packs. This filter accommodates both round and square packs and its groove design creates a mini vacuum designed to fully extract the brewed coffee out of the pack and ultimately produce a better tasting cup of coffee.



Specifications

MODEL NO.	BREW CAPACITY	DIMENSIONS H x W x D	VOLTAGE	POWER REQUIREMENTS	CORD & PLUG	WATER SOURCE	SHIP WEIGHT	SHIP CUBE
CGC	at 110V: 4.3 gal/hr at 220V: 5.0 gal/hr	18.25" x 13.25" x 21.00"	110/220V	1500/2739W 12.5/10.8A 2W/3W + G	6' BLK, NEMA 5-15P	1/4" Flare	38.3 lbs.	5.5 cu ft.



WILBUR CURTIS CO., INC.
6913 Acco Street, Montebello, CA 90640-5403
Telephone: 800-421-6150 · 323-837-2300
Fax: 323-837-2406
www.wilburcurtis.com