



TURBO FLAME

**Simply Modern Design
& Reliable Quality**

Economy Type Steam Cabinet Turbo Wok Rang

双头炒炉

2 Ring wok range



单头炒炉

1 Ring wok range



双层蒸柜

2 Deck steam cabinet



单头汤炉

1 Ring soup boiler



单头底汤炉

Single stock pot burner

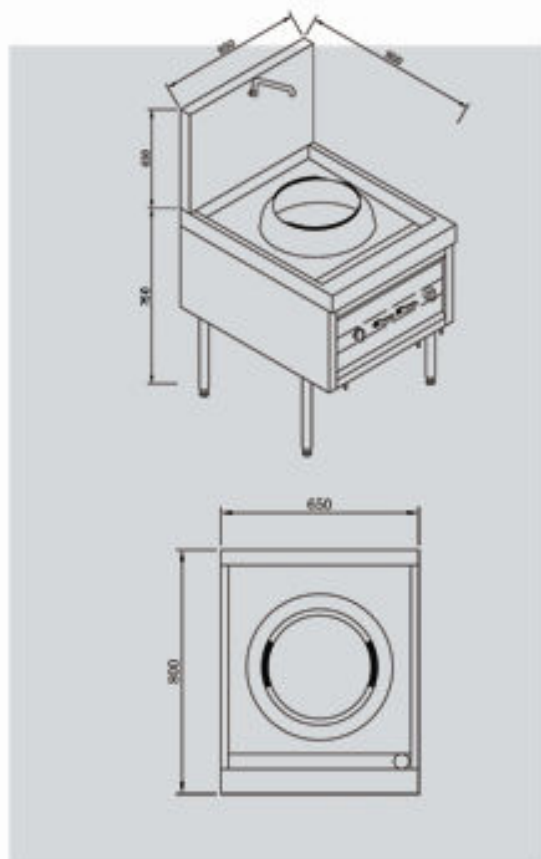


三头炒炉

3 Ring wok range



Economy Type Turbo Wok Range



Specifications of Economy Type Turbo Wok Range

	1 Ring wok range
Model No.	TF-E-1W
Dimensions(mm)	
WidthxDepthxHeight	650x800x(750+450)
Heat Input: KW(BTU/hr.)/Operating Pressure(mm in water column)	
L.P.Gas	48(163824)/100
Town Gas	50(170650)/280
Natural Gas	48(163824)/200
Fuel pipe connection(mm)	
Gas inlet	ø38
Water inlet	ø15
Water drain	ø38
Net / Gross Wt.(kgs)	

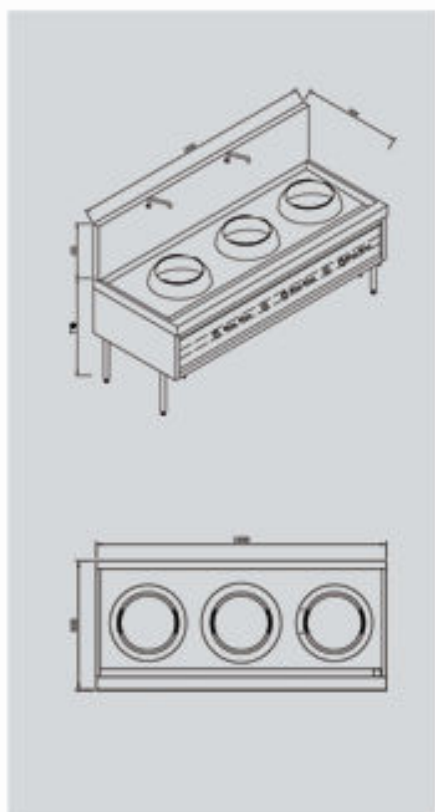
Economy Type Turbo Wok Range



Specifications of Steam Cabinet

Specifications of Steam Cabinet	
	2 Ring wok range
Model No.	TF-E-2W
Dimensions(mm)	
WidthxDepthxHeight	1350x800x (750+450)
Qty of Burner(s)	2
Heat input KW(BTU/hr.)/Operating Pressure(mm in water column)	
LP.Gas	48(163824)/100X2
Town Gas	50(170650)/280X2
Natural Gas	48(163824)/200X2
Fuel pipe connection(mm)	
Gas inlet	Ø38
Water inlet	Ø15
Water drain	Ø38
Net / Gross Wt.(kgs)	

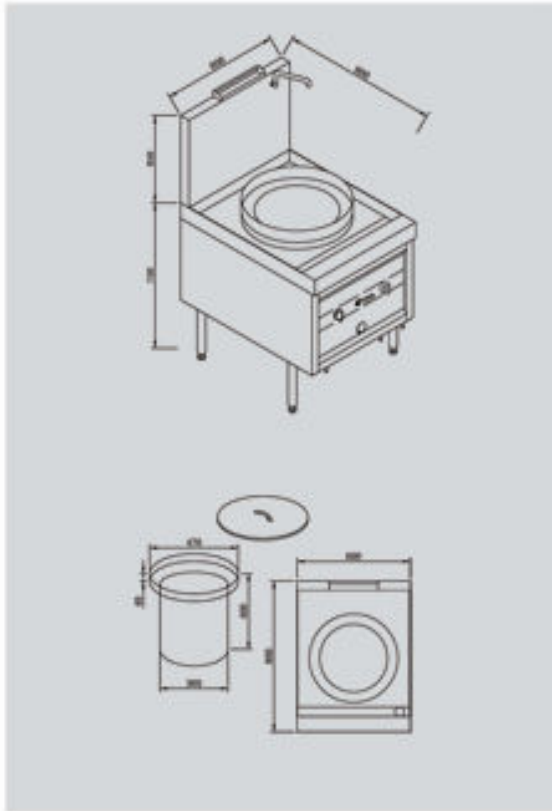
Economy Type Turbo Wok Range



Specifications of Steam Cabinet

	3 Ring wok range	
Model No.	TF-E-3W	
Dimensions(mm)		
WidthxDepthxHeight	1800X800X (750+450)	
Qty of Burner(s)		3
Heat Input KW(BTU/hr.)/Operating Pressure(mm in water column)		
LP.Gas	68(232084)/280X3	
Town Gas	65(221845)/300X3	
Natural Gas	62(211606)/200X3	
Fuel pipe connection(mm)		
Gas inlet	Ø25	
Water inlet	Ø25	
Water drain	Ø25	
	Ø15/Ø38	
Net / Gross Wt.(kgs)	395/435	

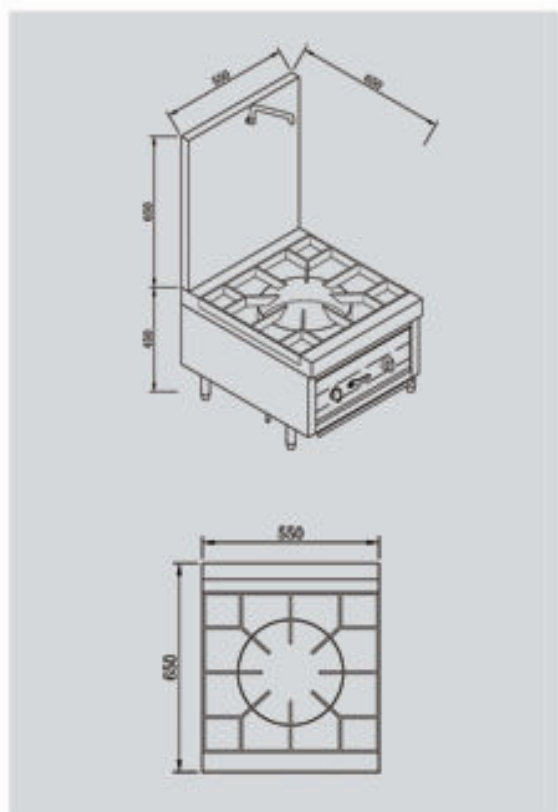
Economy Type Steam Cabinet Turbo Wok Rang



Specifications of Steam Cabinet

	1Ring soup boiler	
Model No.	TF-E-158	
Dimensions(mm)		
WidthxDepthxHeight	600x800x(750+450)	
Heat input KW(BTU/hr.)/Operating Pressure(mm in water column)		
LP.Gas	48(163824)/100	
Town Gas	50(170650)/280	
Natural Gas	48(163824)/200	
Fuel pipe connection(mm)		
Gas inlet	Φ38	
Water inlet	Φ15	
Water drain	Φ38	
Net / Gross Wt.(kgs)		

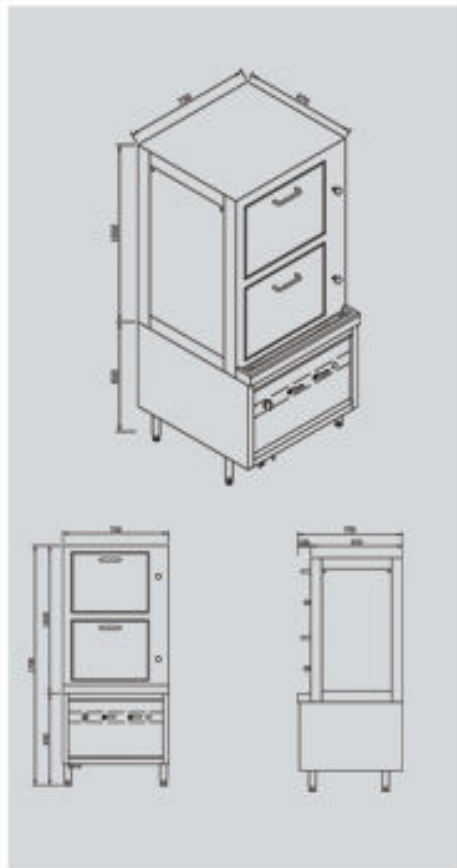
Economy Type Steam Cabinet Turbo Wok Rang



Specifications of Steam Cabinet

Model No.	single stock pot burner	TBE-1HRP
Dimensions(mm)		
WidthxDepthxHeight		550x650x (450+650)
Heat input KW(BTU/hr.)/Operating Pressure(mm in water column)		
LP.Gas		48(163824)/100
Town Gas		50(170650)/280
Natural Gas		48(163824)/200
Fuel pipe connection(mm)		
Gas inlet		Ø38
Water inlet		Ø15
Net / Gross Wt.(kgs)		

Economy Type Steam Cabinet Turbo Wok Rang



Specifications of Steam Cabinet

Specifications of Steam Cabinet	
	2 Deck Steam Cabinet
Model No.	TF-E-2S
Dimensions(mm)	
WidthxDepthxHeight	750X770X1700
Heat input KW(BTU/hr.)/Operating Pressure(mm in water column)	
LP.Gas	38(129694)/100
Town Gas	40(136520)/280
Natural Gas	35(119455)/200
Fuel pipe connection(mm)	
Gas Inlet	ø38
Water Inlet	ø15
Water drain	ø38
Loading(V)	
	9V
Net / Gross Wt.(kgs)	

Why Choose us?

VALUE

- ↓ Low Maintenance Cost
 - ↓ Low Operation Cost
 - ↓ Low Acquisition Cost
-

